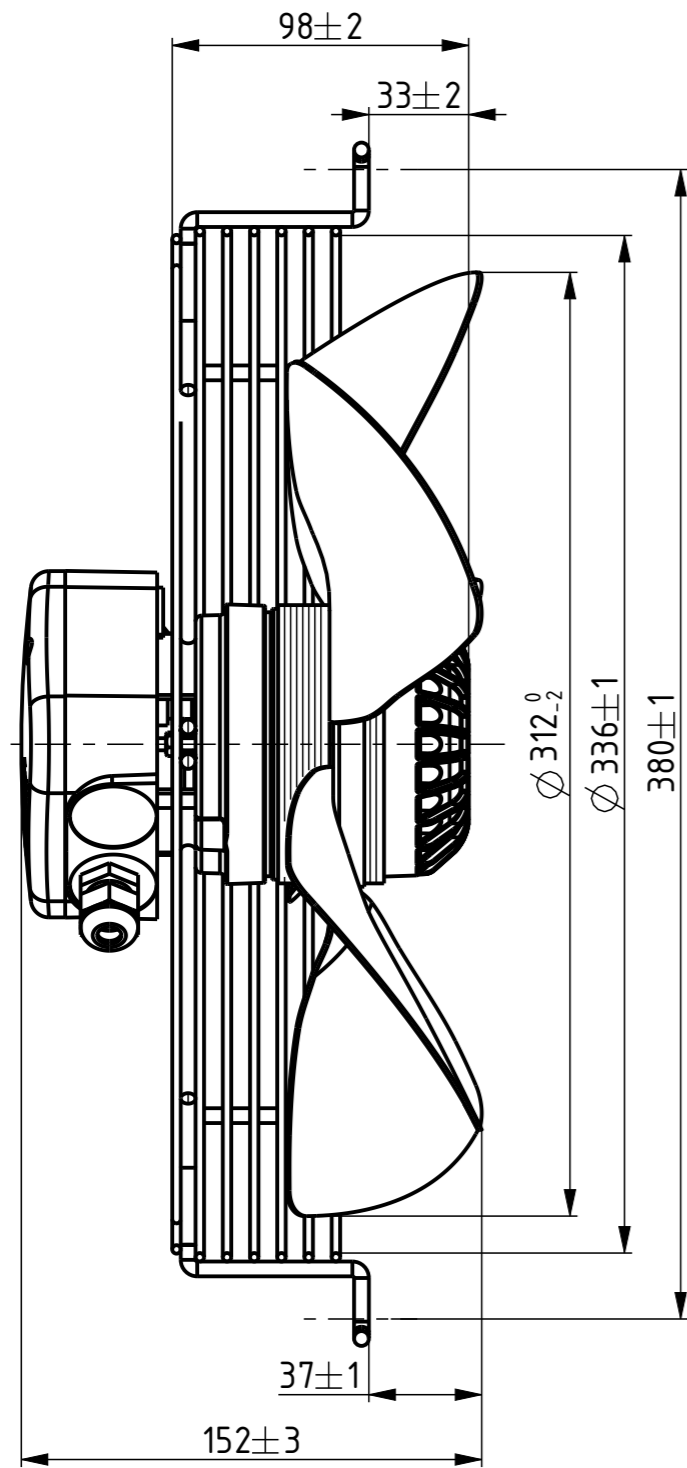
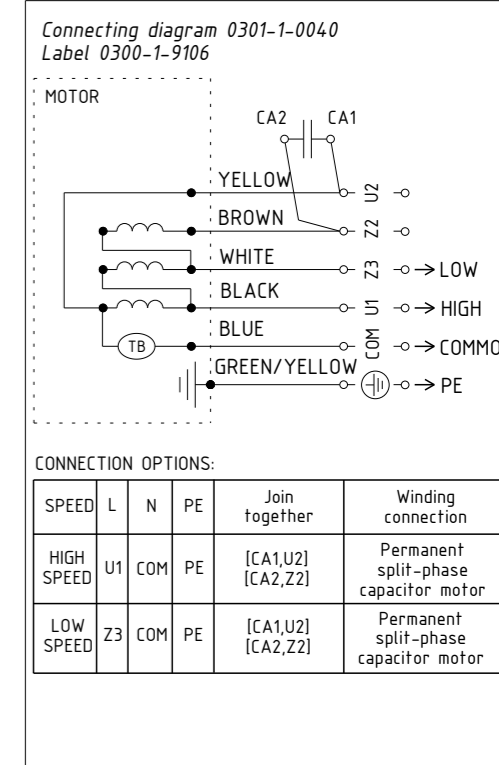
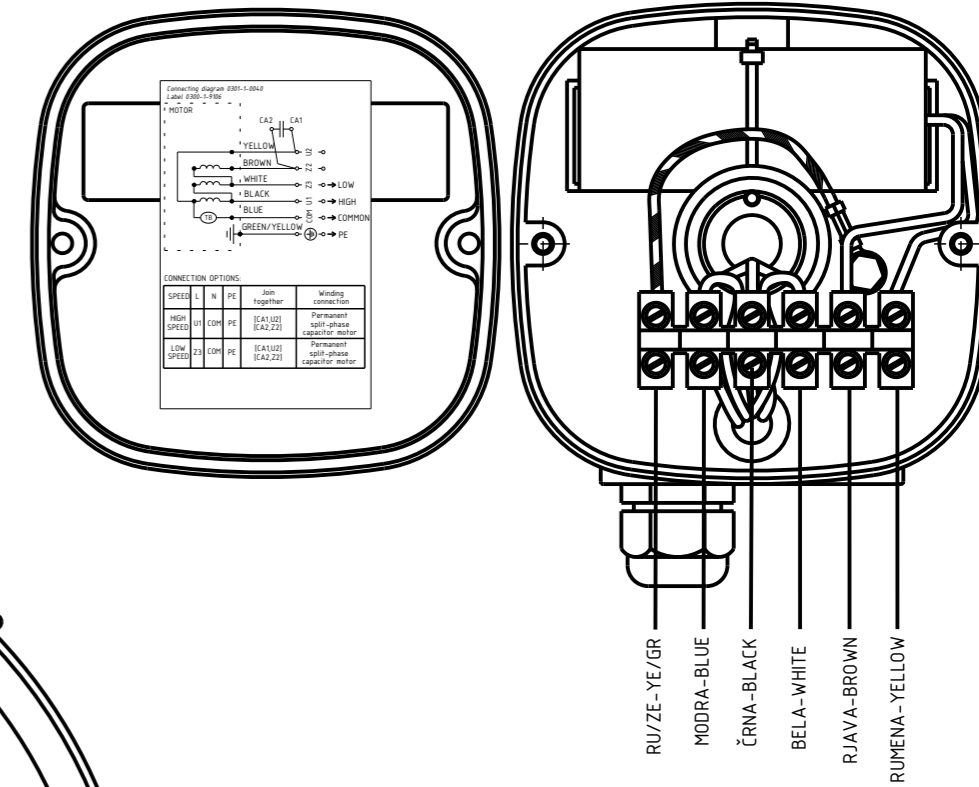
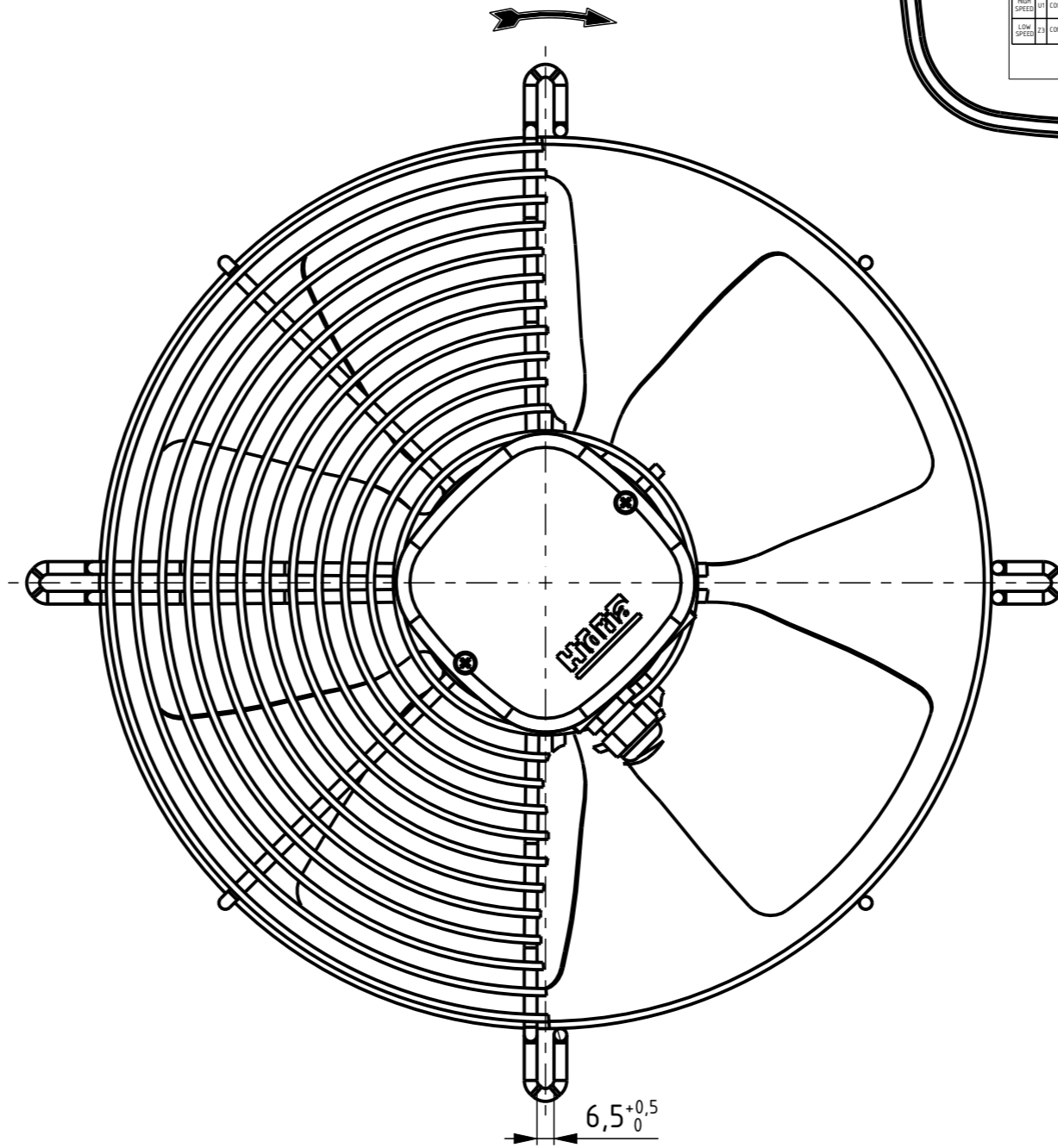


All drawings, regardless of form, are owned by Hidria Rotomatika d.o.o. and are strictly confidential and present copyright. Intellectual Property Rights as follows rights under the laws of patents, petty patents, design patents and registered designs, copyrights, trade secret rights, and similar exclusive rights in industrial property connected with the drawings are reserved by Hidria Rotomatika d.o.o.. Disclosure to any third party is strictly forbidden.



**SUCKING**  
**AIRFLOW DIRECTION**  
**SMER ZRAKA**



Navodila za kontrolo ventilatorja 0301-1-4406  
 Fan checking instruction 0301-1-4406

**HTM** MADE IN SLOVENIA **CE** DATE  
 R09R-3132A-4M2-3535 0309-4-0523  
 1~230V 50Hz 100/85W 0.44/0.38A 1300/1170RPM  
 1~230V 60Hz 135/100W 0.62/0.45A 1350/940RPM  
 INS.CL.155 IP54 C=3uF/450V  
 TH.PROT. ROT.

AA	AA	Prva izdaja. Risba v Windchillu je skladna z risbo v arhivu.	04.04.2017	Uroš K.
Verzija Artikla:	Verzija risbe:	Opis spremembe:	Datum:	Izdelal:
Article revision:	DRW Revision:	Description of change:	Date:	Produced:
KONSTRUIRAL / DRN:	04.04.2017	Uroš Kunc	NAZIV: TITL:	
ODOBRIL / APP:	MATERIAL		VENTILATOR	
V potrjevanju		KODA MATERIALA MATERIAL CODE	R09R-3132A-4M2-3535	
<b>Hidria</b>		MASA: MASS:	KODA: CODE:	
NETOL. MERE/UNTOL DIM ISO 2768-m		DZJ	0309-4-0523	
MERO/FORMAT 2:5/A3			VERZIJA ARTIKLA: REVISION ARTICLE:	
			AA	
			VERZIJA RISBE: DRW REVISION:	
			AA	
			LIST/SHEET: 1/1	