



**Diameter:** 350 mm

R09\_-3530H\_-4T-4203

**Fan with wall plate**

**Airflow**

**Direction**

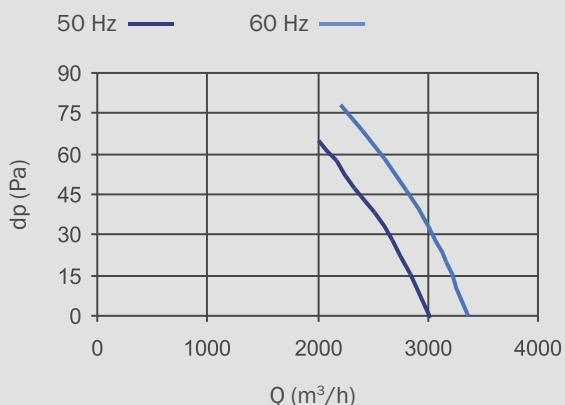
- »S«
- »B«

**Type:**

- R09P-3530HA-4T-4203
- R09P-3530HP-4T-4203

Available on request

**Aerodynamic characteristic:**



**Performance Data:**

3~230 / 400V 50/60Hz  
 $P_1 = 135 / 170W$   
 $n = 1380 / 1540min^{-1}$   
 $I = 0,53 / 0,30A / 0,53 / 0,30A$   
 $t_R = 50^{\circ}C$   
 $Lwa = 72 / 75dB$   
 Connection: terminal box  
 Ins.Cl. F  
 IP54

**Notes:**

Fan characteristic measured in full bell mouth with guard grill

**Fan with guard grill**

**Airflow**

**Direction**

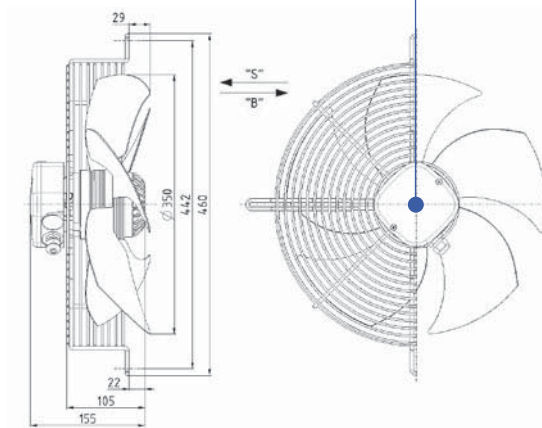
- »S«
- »B«

**Type:**

- R09R-3530HA-4T-4203
- R09R-3530HP-4T-4203

**Code:**

0309-4-1023



**Weight:**  
3,7 kg

**Fan without guard grill**

**Airflow**

**Direction**

- »S«
- »B«

**Type:**

- R09E-3530HA-4T-4203
- R09E-3530HP-4T-4203

Available on request