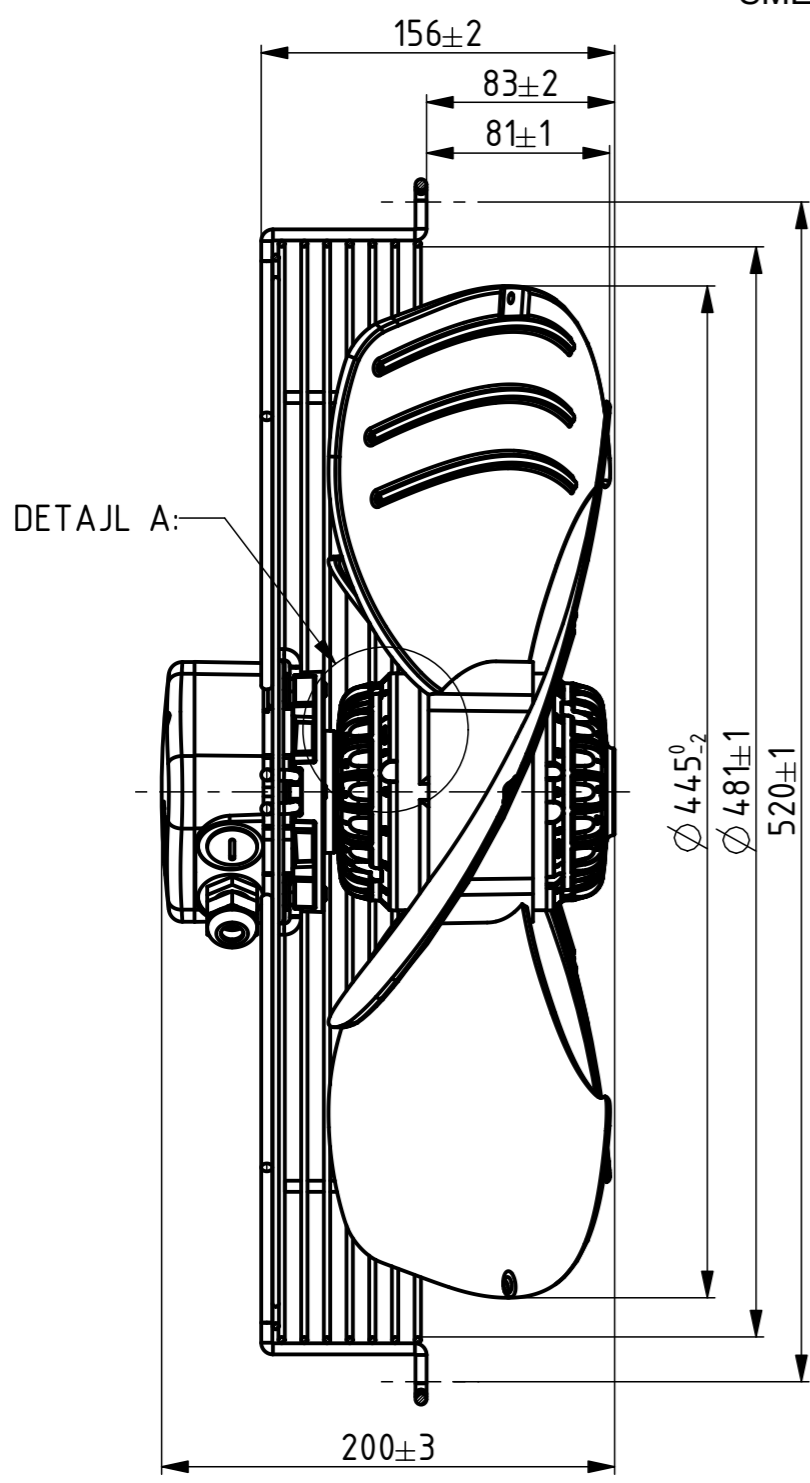


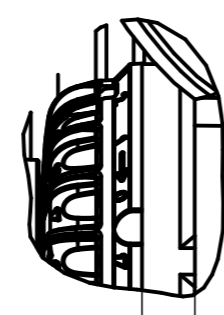
All drawings, regardless of form, are owned by Hidria Rotomatika d.o.o. and are strictly confidential and present copyright. Intellectual Property Rights as follows rights under the laws of patents, petty patents, design patents and registered designs, copyrights, trade secret rights, and similar exclusive rights in industrial property connected with the drawings are reserved by Hidria Rotomatika d.o.o.. Disclosure to any third party is strictly forbidden.

SUCKING
AIRFLOW DIRECTION
SMER ZRAKA

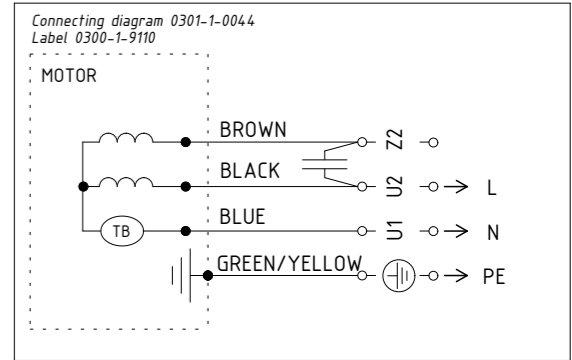
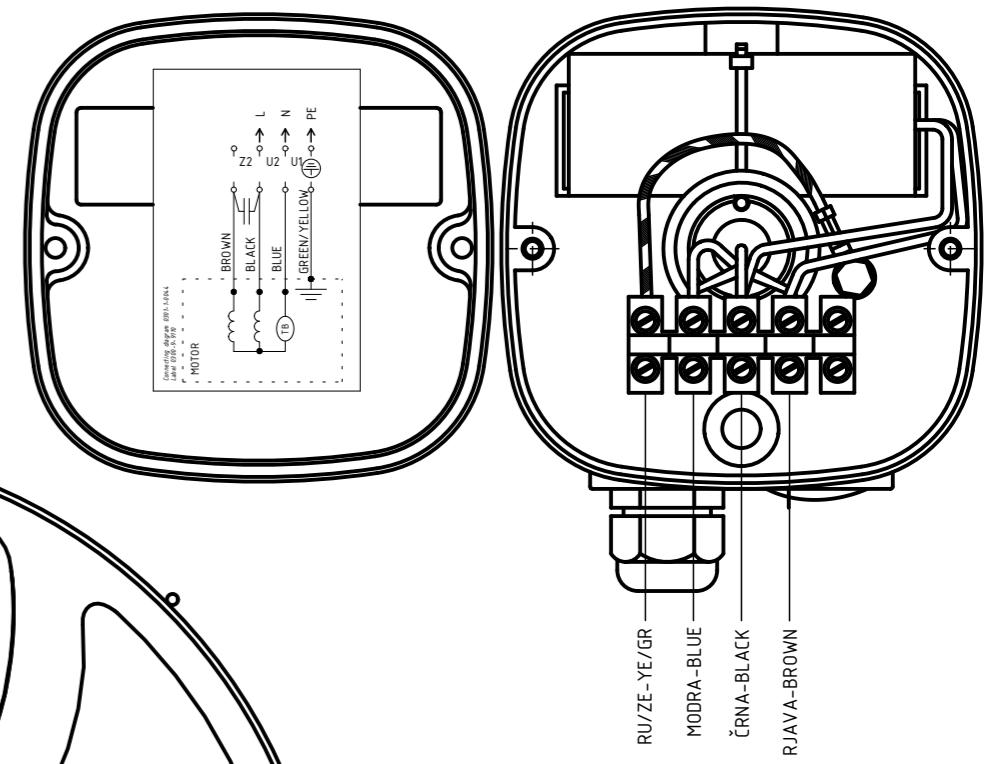
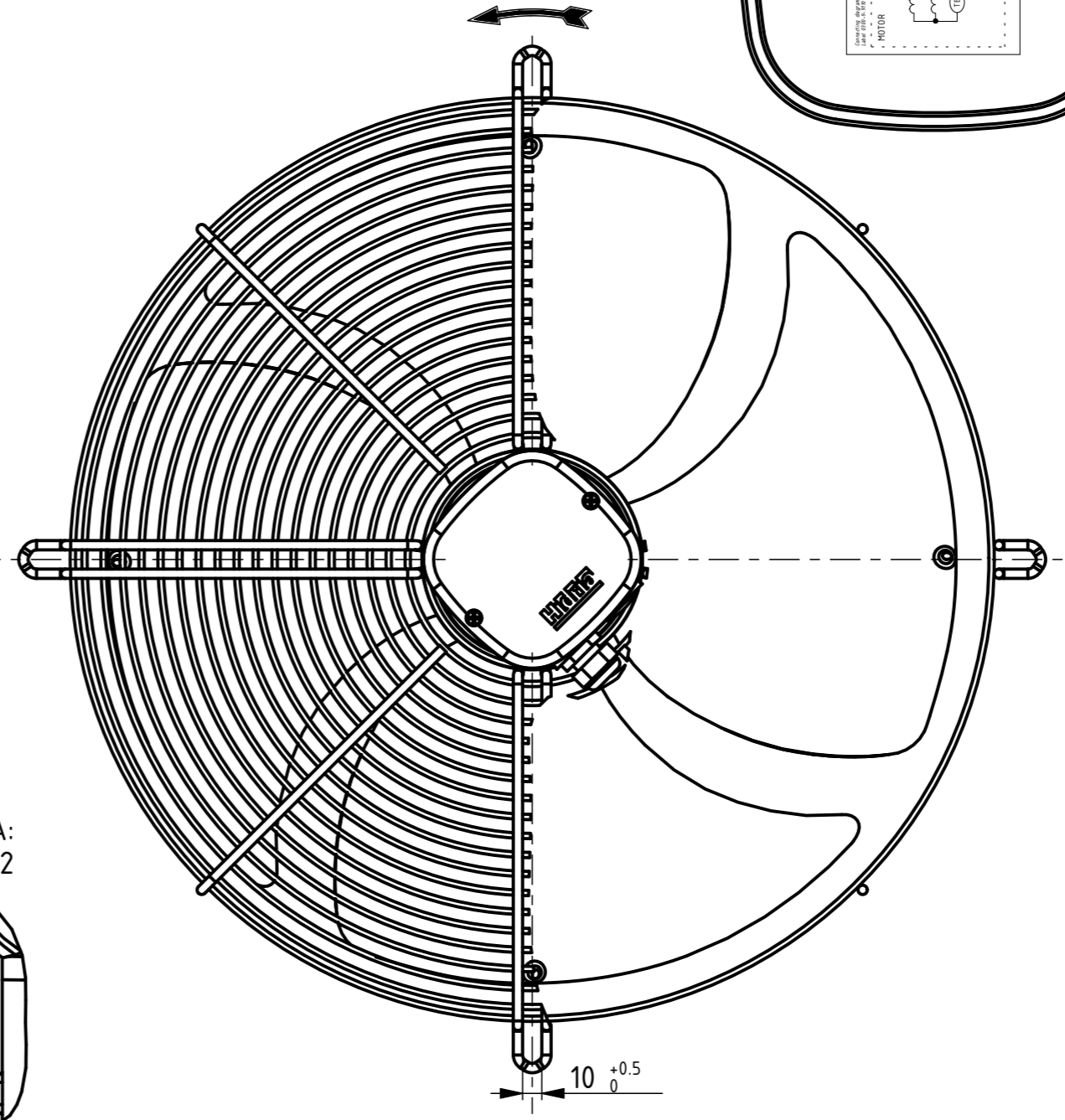


DETAJL A:

DETAJL A:
1:2



14±0,5
 Pozicija ventilatorja
 Position of fan



- Opomba:
- korozijski razred C3 (ISO12944-2)
 - corrosion class C3 (ISO12944-2)
 - navodilo za kontrolo ventilatorja 0301-1-4304
 - checking instruction 0301-1-4304
 - na embalažo dodati nalepko - NADOMESTNI VENTILATOR

(KODA VENTILATORJA)
FAN FOR REPLACEMENT ONLY
 For installation in application:

HTMF MADE IN SLOVENIA **CE** DATE
 R11R-45EPA-6M-5105 0311-4-0469
 1~230V 50Hz 150/80W 0,7A 880RPM
 IP55 INS.CL.155 C=5µF/400V
 TH.PROT. ROT.

AA	AA	1. izdaja; Risba v Windchillu je skladna z risbo v arhivu.	01.10.14	Jure L.
Verzija Artikla: Article revision:	Verzija risbe: DRW Revision:	Opis spremembe: Description of change:	Datum: Date:	Izdelal: Produced:
KONSTRUIRAL / DRN:	01.10.2014	Uroš Kunc		
ODOBRIL / APP:	01.10.2014	Laharnar, Jure		
Potrjeno/Approved		NAZIV: TITLE:		
Hidria		VENTILATOR R11R-45EPA-6M-5105		
NETOL. MERE/UNTOL DIM 3:10/A3		KODA MATERIALA MATERIAL CODE		KODA: CODE:
MERILO/FORMAT ISO 2768-m		MASA: MASS:		VERZIJA ARTIKLA: REVISION ARTICLE:
		DZJ		AA
		0311-4-0469 0311-4-0469		VERZIJA RISBE: DRW REVISION:
				AA.1 1/1