

Diameter:

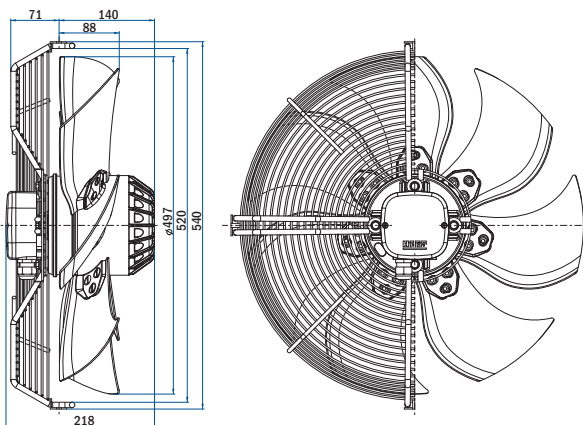
500 mm

R13_-5030H_-4T2-7063



Fan with guard grill

Airflow Direction	Type	Code	Weight (kg)
Sucking	R13R-5030HA-4T2-7063	0313-4-1038	12.5
Blowing	R13R-5030HP-4T2-7063	On request	



Fan with plate

Airflow Direction	Type	Code	Weight (kg)
Sucking	R13P-5030HA-4T2-7063	0313-4-1028	18.0
Blowing	R13P-5030HP-4T2-7063	On request	

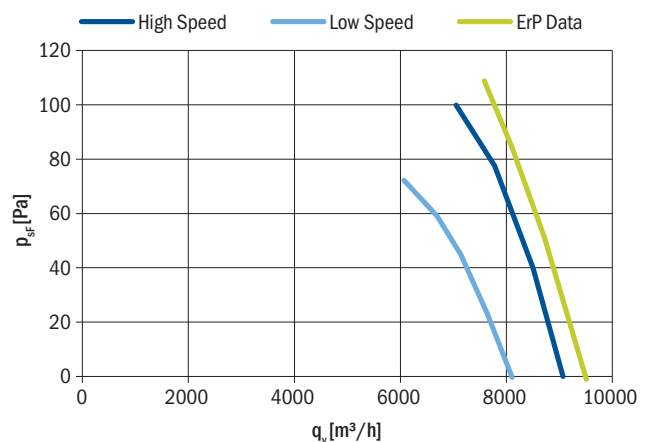
Fan without guard grill

Airflow Direction	Type	Code	Weight (kg)
Sucking	R13E-5030HA-4T2-7063	0313-4-1068	10.1
Blowing	R13E-5030HP-4T2-7063	On request	

Nominal data according to standard EN 60335:	
Phase	3~
Nominal voltage	400 V
Frequency	50 Hz
Speed	high/low
Rated power input	800/540 W
Rated current	1.90/0.95 A
Rated speed	1390/1200 RPM
Min. ambient temperature	-30 °C
Max. ambient temperature	45 °C
Sound power level A weighted	76/72 dB (A)
Connection	terminal box
Insulation class	155
Protection class	IP54

ErP data according to EU regulation 327/2011:	
Overall efficiency	31.0 %
Measurement category	A
Efficiency category	static
Efficiency grade N	37.8
Variable speed drive	NO
Power input	828 W
Air flow	6489 m ³ /h
Pressure drop	150 Pa
Speed	1369 RPM
Specific ratio	1.00

Aerodynamic characteristic



Fan characteristic measured in full bell mouth with guard grill
ErP characteristic measured in full bell mouth without guard grill

General notes		
Connection diagram: Sucking	0301-1-0033	Page 147
Blowing	0301-1-0033	
Accessories		Page 134
Compliant to standards		Page 28