



Diameter: 350 mm

R09_-3530H_-4T-4203

Fan with wall plate

Airflow

Direction

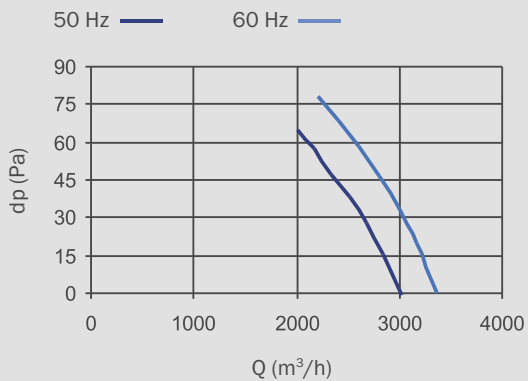
- »S«
- »B«

Type:

R09P-3530HA-4T-4203
R09P-3530HP-4T-4203

Available on request

Aerodynamic characteristic:



Performance Data:

3~230 / 400V 50/60Hz

$P_1 = 135 / 170W$

$n = 1380 / 1540min^{-1}$

$I = 0,53 / 0,30A / 0,53 / 0,30A$

$t_R = 50^\circ C$

$Lwa = 72 / 75dB$

Connection: terminal box

Ins.Cl. F

IP54

Notes:

Fan characteristic measured in full bell mouth with guard grill

Fan with guard grill

Airflow

Direction

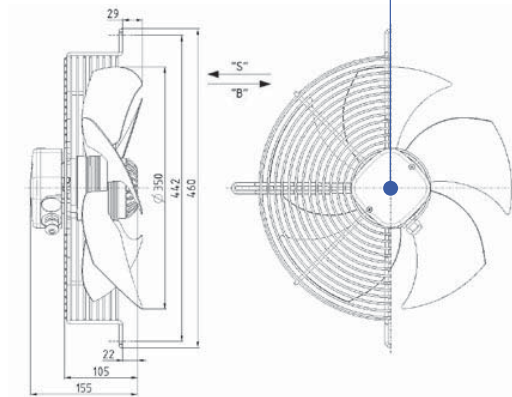
- »S«
- »B«

Type:

R09R-3530HA-4T-4203
R09R-3530HP-4T-4203

Code:

0309-4-1023



Weight:
3,7 kg

Fan without guard grill

Airflow

Direction

- »S«
- »B«

Type:

R09E-3530HA-4T-4203
R09E-3530HP-4T-4203

Available on request