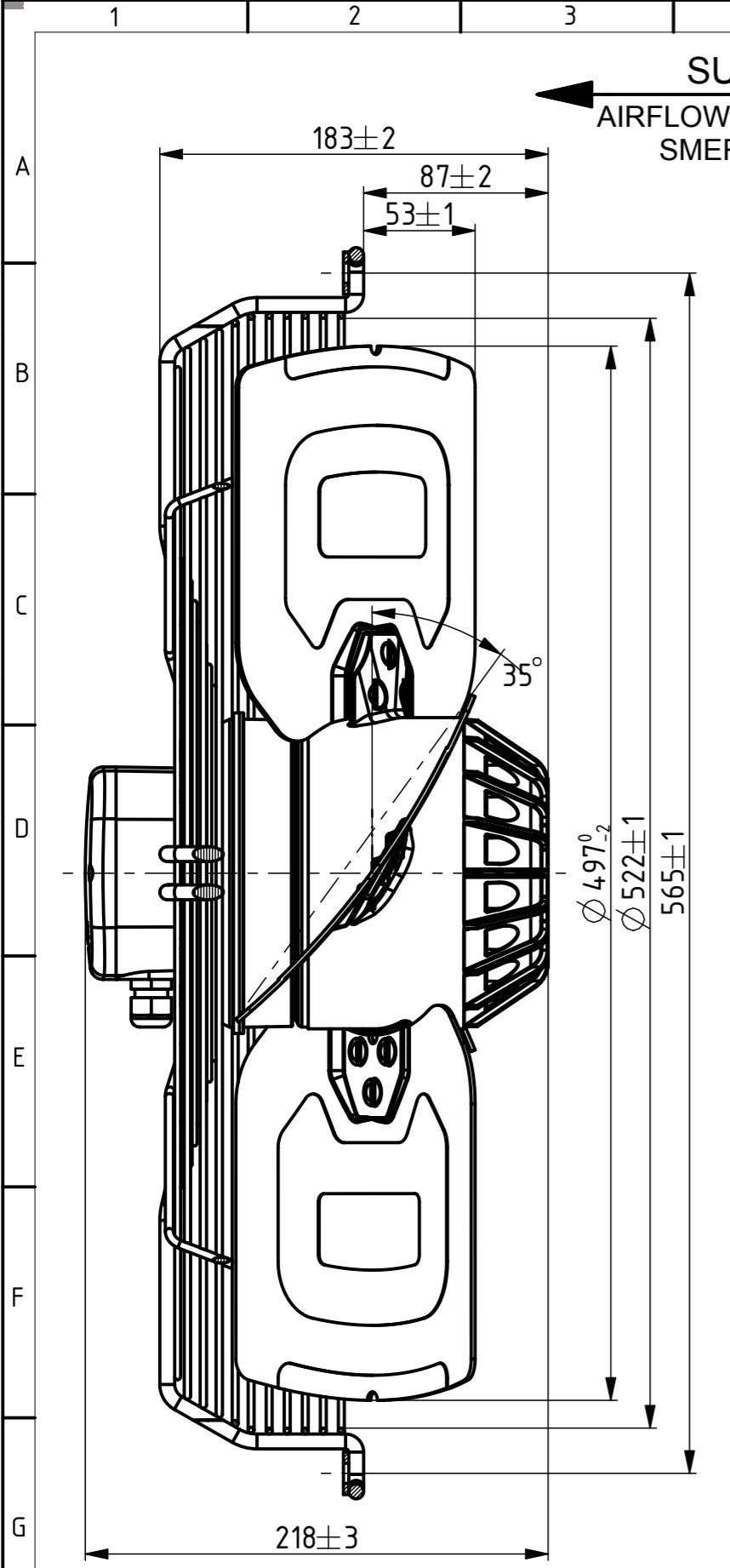
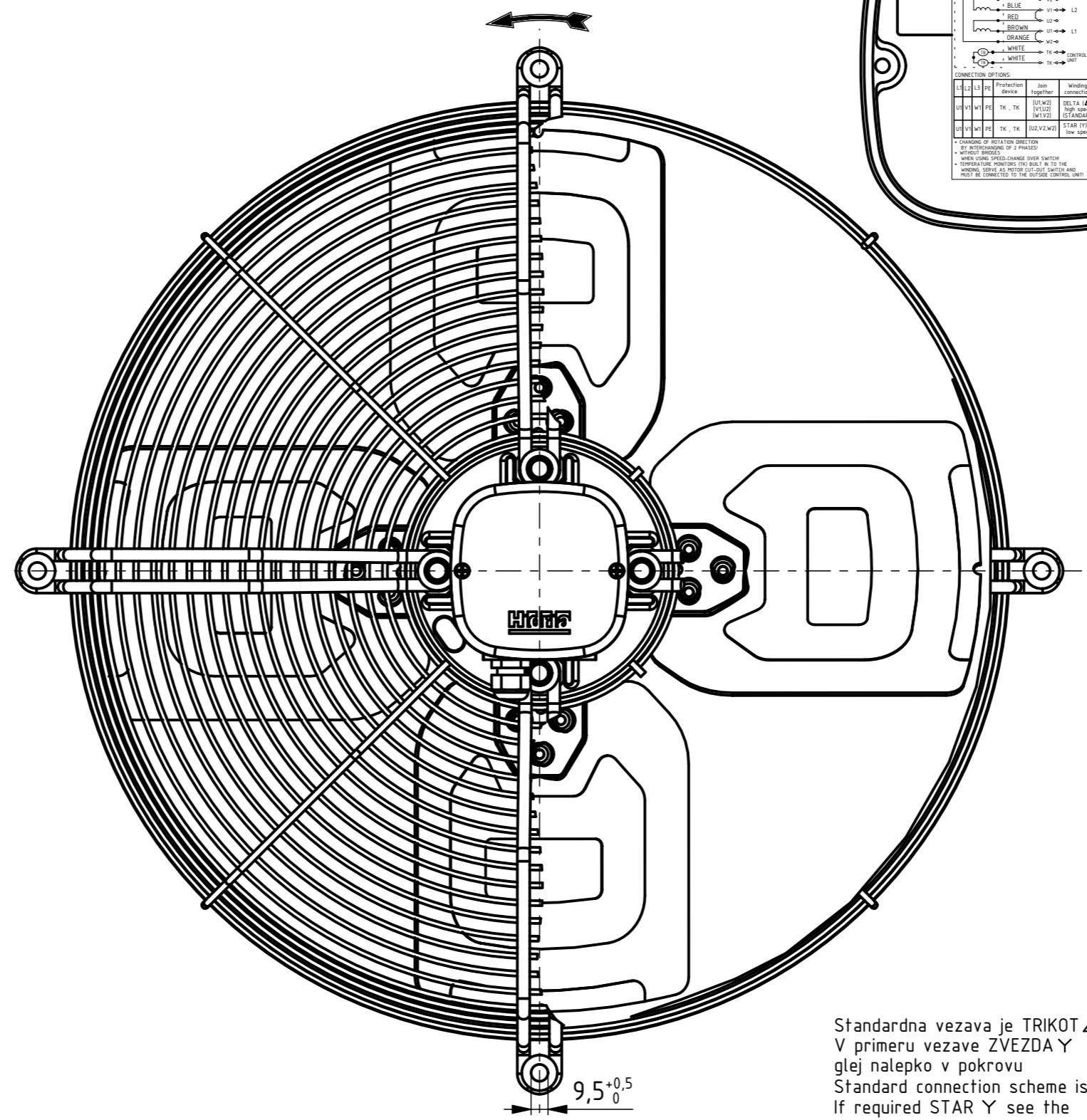


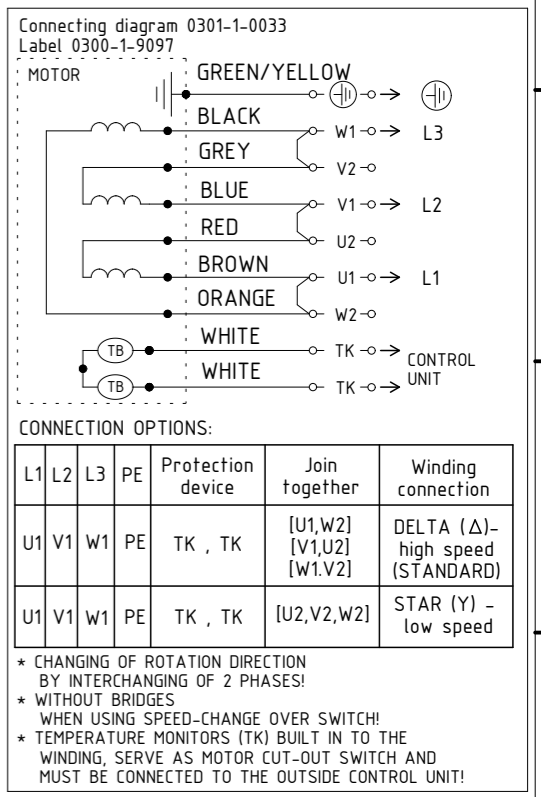
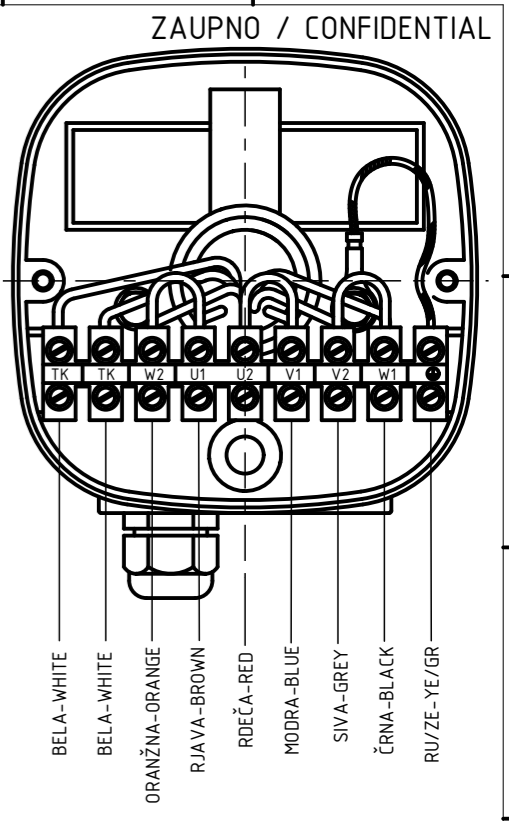
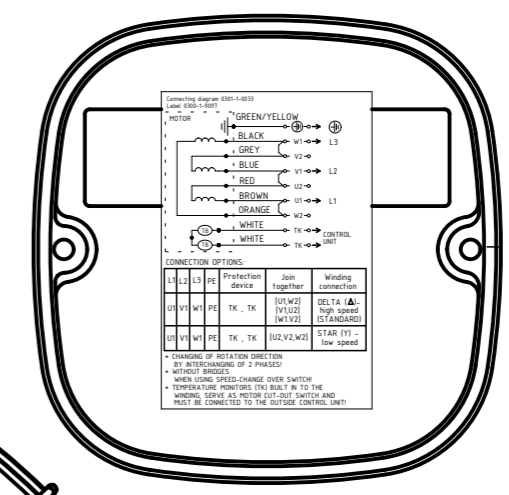
All drawings, regardless of form, are owned by Hidria Rotomatika d.o.o. and are strictly confidential and present copyright. Intellectual Property Rights as follows rights under the laws of patents, petty patents, design patents and registered designs, copyrights, trade secret rights, and similar exclusive rights in industrial property connected with the drawings are reserved by Hidria Rotomatika d.o.o.. Disclosure to any third party is strictly forbidden.



SUCKING
AIRFLOW DIRECTION
SMER ZRAKA



Standardna vezava je TRIKOT Δ
 V primeru vezave ZVEZDA Y
 glej nalepko v pokrovu
 Standard connection scheme is DELTA Δ
 If required STAR Y see the
 connection diagram in the cover



Opomba:
 Vzmetna ploščica na kabelski strani
 - navodilo za kontrolo ventilatorja 0301-1-4286
 - checking instruction 0301-1-4286

Hidria MADE IN SLOVENIA
 R13R-5035A-4T2-7002
 3~400V 50Hz D/Y 695/480W 1,3/0,78A 1340/1070RPM
 MAX.AMB.60°C IP54 INS.CL.155
 TH.PROT. ROT.

AA	AA	1. izdaja; Risba v Windchillu je skladna z risbo v arhivu.	08.01.15	Jure L.
Verzija Artikla:	Verzija risbe:	Opis spremembe:	Datum:	Izdelal:
Article revision:	DRW Revision:	Description of change:	Date:	Produced:
DATUM/DATE	IME / NAME	POVRŠINSKA OBD. SURFACE TEXTURE	NAZIV: TITLE:	
KONSTRUIRAL / DRN:	08.01.2015	Uroš Kunc	VENTILATOR	
ODOBRIL / APP:	09.01.2015	Laharnar, Jure	R13R-5035A-4T2-7002	
Potrjeno/Approved		MATERIAL	KODA: CODE:	
		KODA MATERIALA MATERIAL CODE	0313-4-0459	
NETOL. MERE/UNTOL DIM		MASA: MASS:	VERZIJA ARTIKLA: REVISION ARTICLE:	
ISO 2768-m		DZJ	AA	
MERILO/FORMAT 33:100/A3			VERZIJA RISBE: DRW REVISION:	
			AA	
			LIST/SHEET: 1/1	