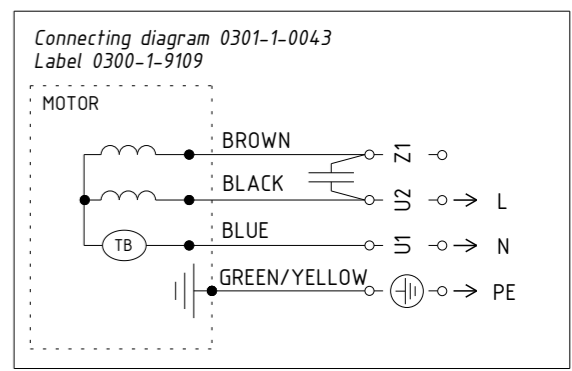
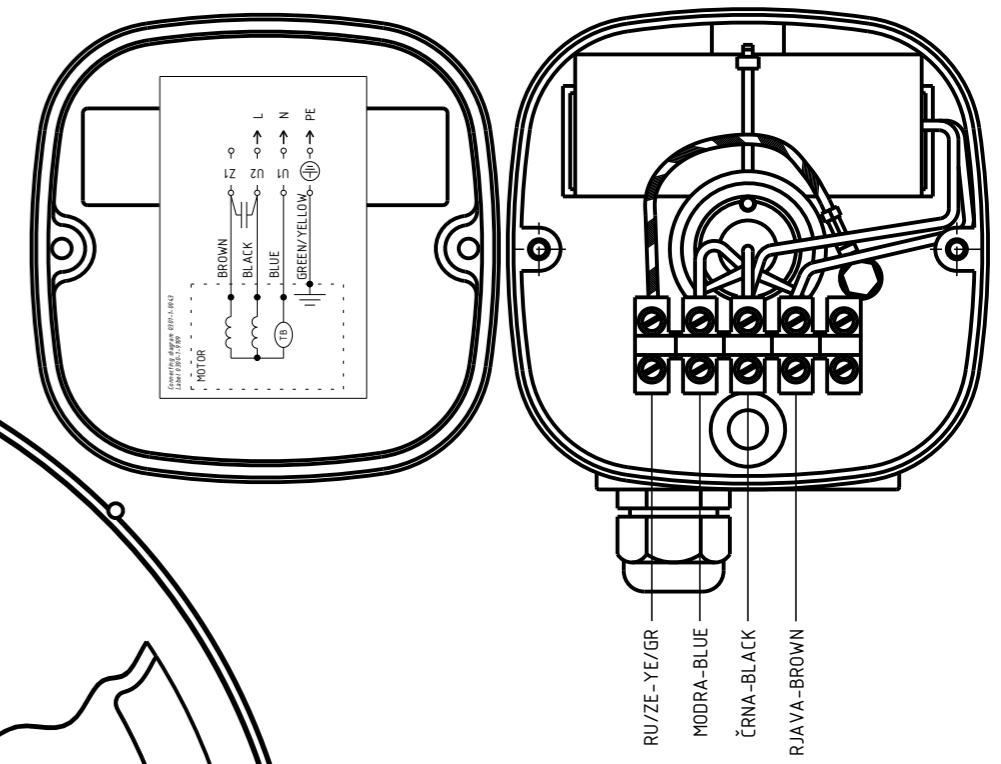
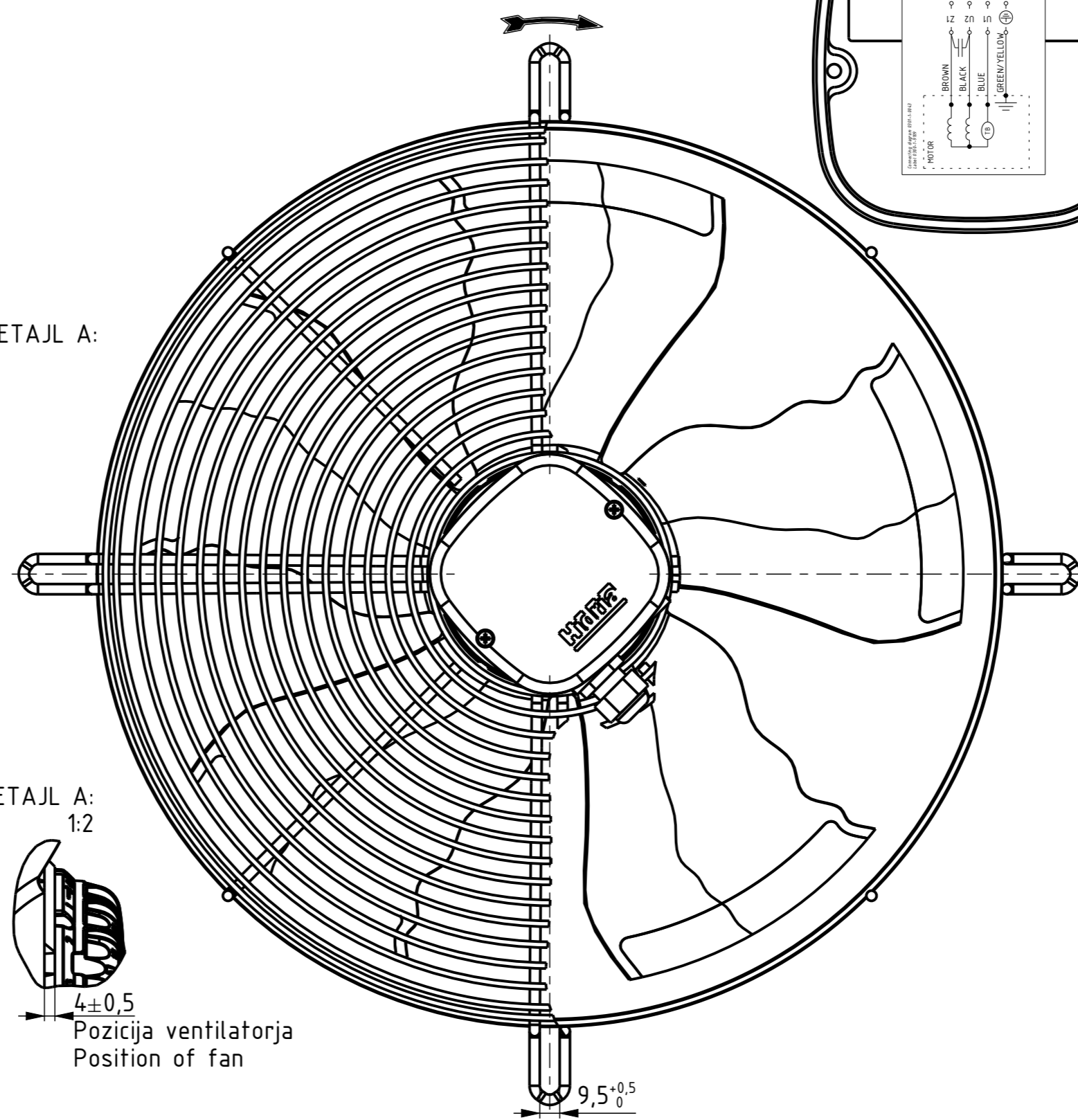
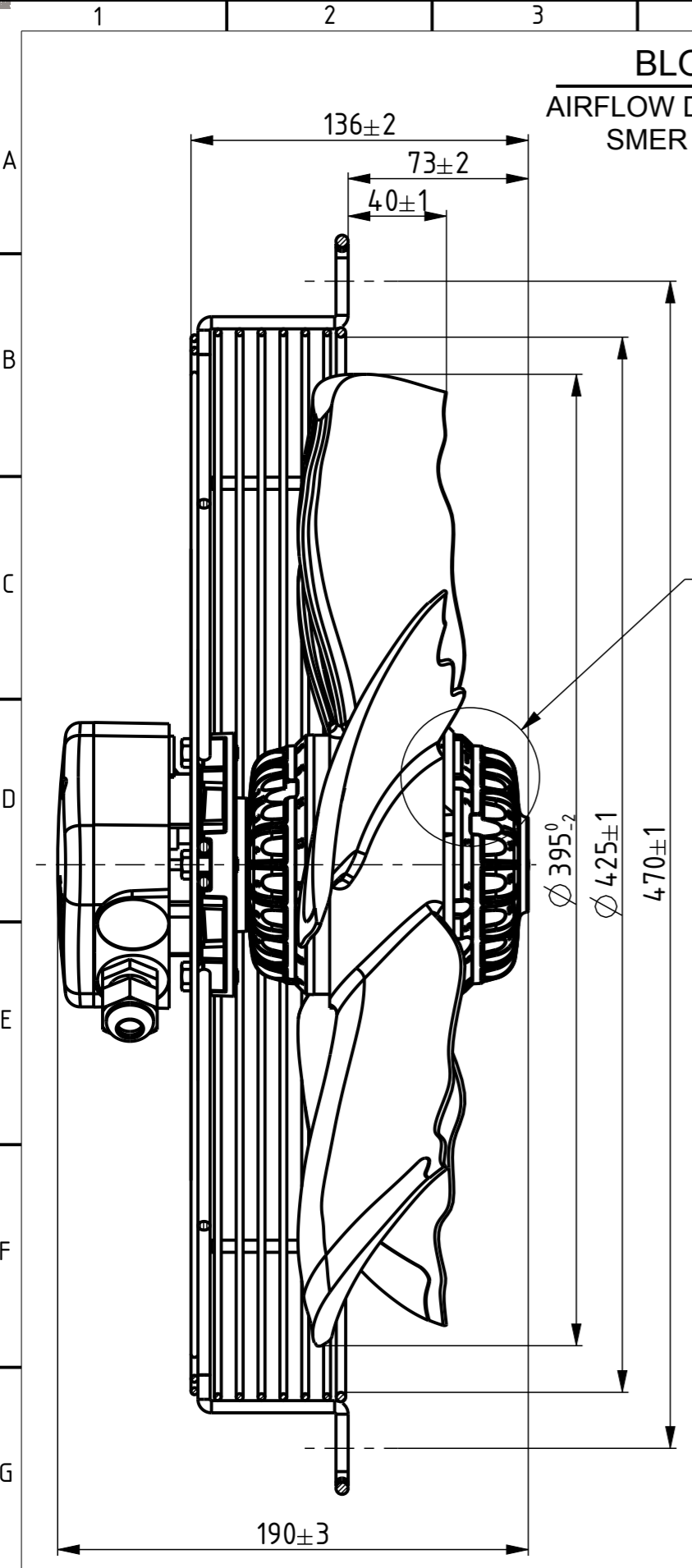


All drawings, regardless of form, are owned by Hidria Rotomatika d.o.o. and are strictly confidential and present copyright. Intellectual Property Rights as follows rights under the laws of patents, petty patents, design patents and registered designs, copyrights, trade secret rights, and similar exclusive rights in industrial property connected with the drawings are reserved by Hidria Rotomatika d.o.o.. Disclosure to any third party is strictly forbidden.



Opombe:
 - navodilo za kontrolo ventilatorja 0301-1-4737
 - checking instructions 0301-1-4737

Hidria MADE IN SLOVENIA	CE	DATE
R11R-40LPB-6M-3806		0311-4-0522
1~230V 50Hz 77W 0,33A 895RPM		
MAX.AMB.70° C IP54 INS.CL.155 C=3µF/450V		
TH.PROT. ROT.		

AA	AA	Prva izdaja. Risba v Windchillu je skladna z risbo v arhivu.	26.05.2017	Uroš K.
Verzija Artikla:	Verzija risbe:	Opis spremembe:	Datum:	Izdelal:
Article revision:	DRW Revision:	Description of change:	Date:	Produced:
KONSTRUIRAL / DRN:	26.05.2017	Uroš Kunc	VENTILATOR R11R-40LPB-6M-3806	
ODOBRIL / APP:	26.05.2017	Uroš Tominec		
Potrjeno/Approved 		POVRŠINSKA OBD. SURFACE TEXTURE	KODA: 0311-4-0522 0311-4-0522	
		KODA MATERIALA MATERIAL CODE		
		MASA: MASS:	VERZIJA ARTIKLA: AA REVISION ARTICLE: AA	
		NETOL. MERE/UNTOL DIM. ISO 2768-m		
		MERIL/FORMAT 2:5/A3	VERZIJA RISBE: AA LIST/SHEET: 1/1	
		DZJ		