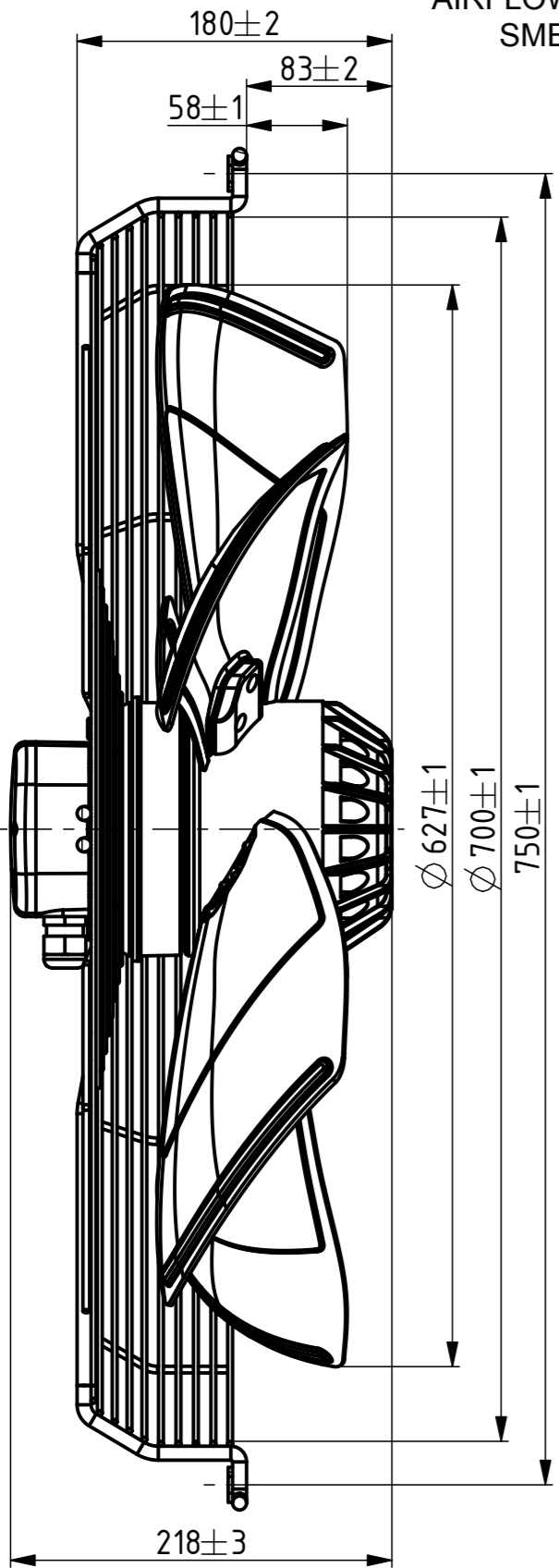
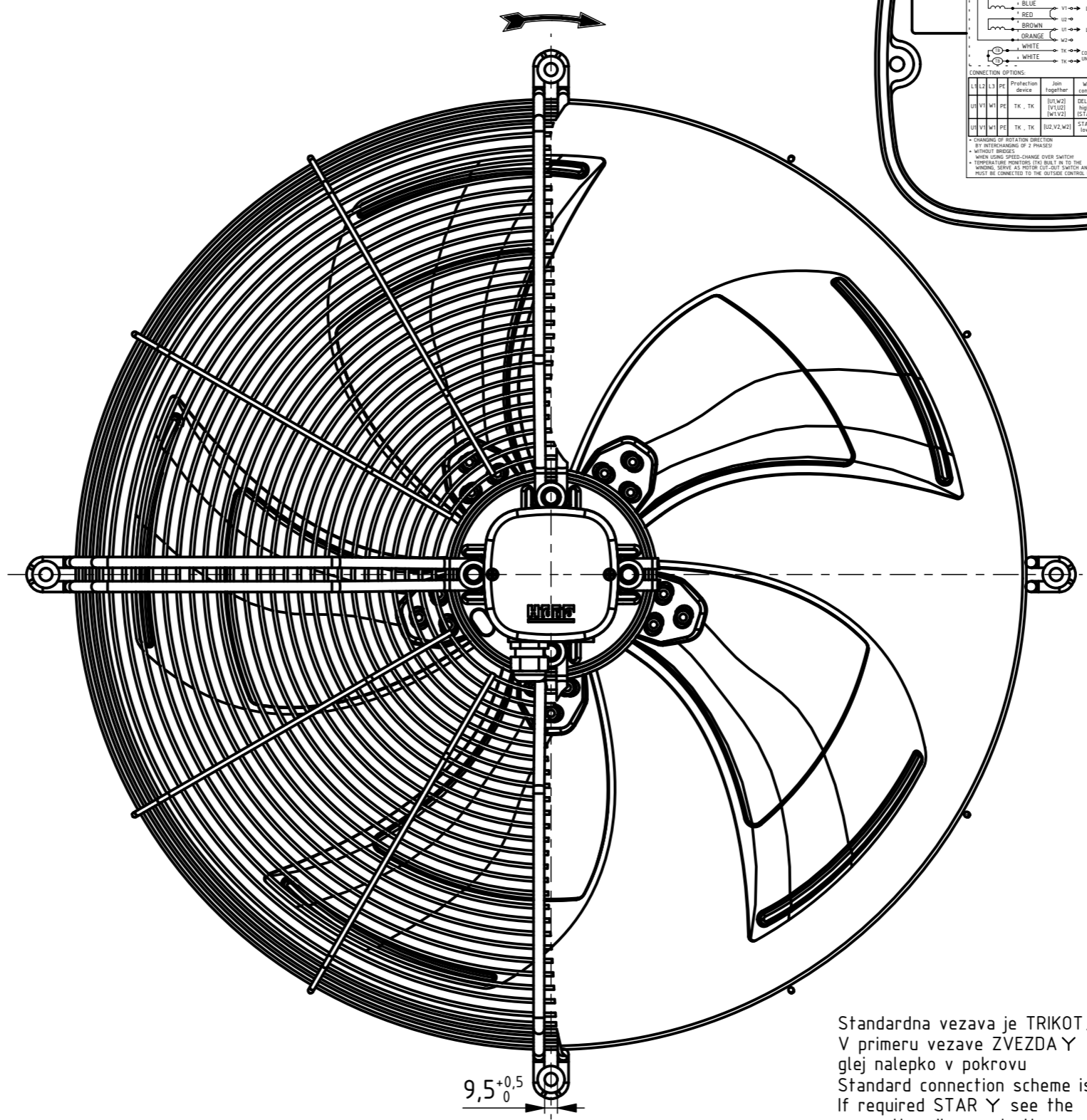


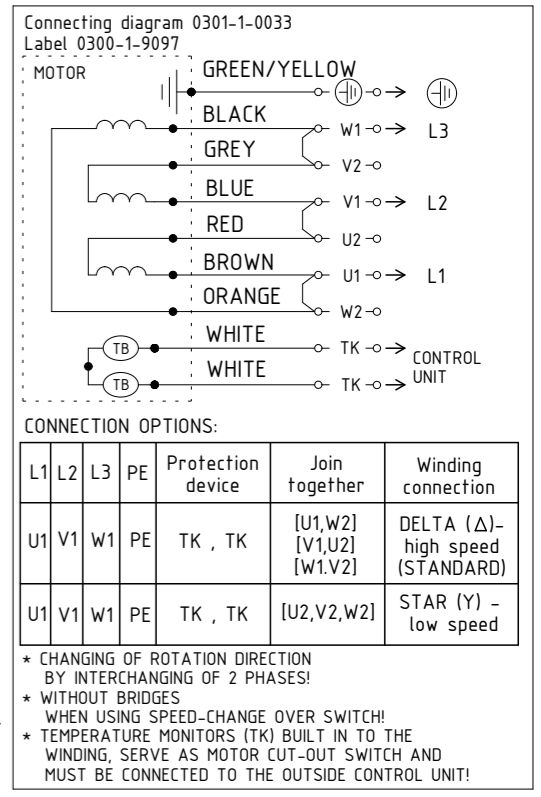
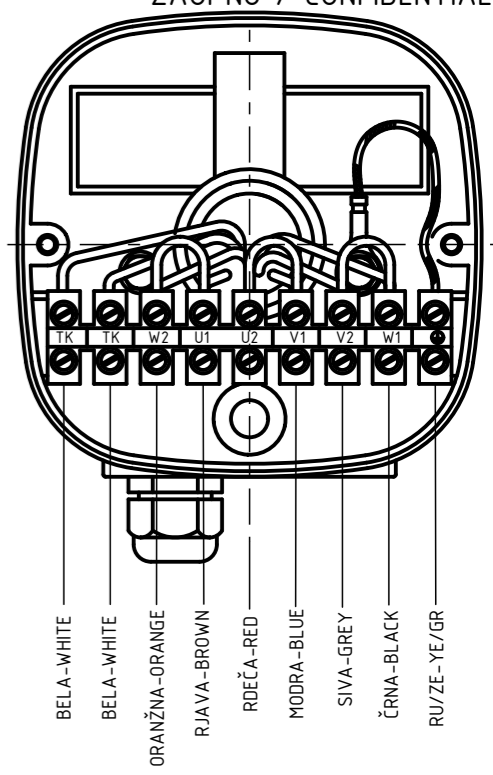
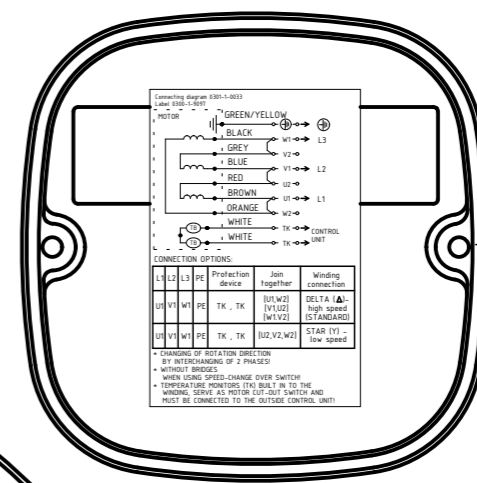
All drawings, regardless of form, are owned by Hidria Rotomatika d.o.o. and are strictly confidential and present copyright. Intellectual Property Rights as follows rights under the laws of patents, petty patents, design patents and registered designs, copyrights, trade secret rights, and similar exclusive rights in industrial property connected with the drawings are reserved by Hidria Rotomatika d.o.o.. Disclosure to any third party is strictly forbidden.



BLOWING
 AIRFLOW DIRECTION
 SMER ZRAKA



Standardna vezava je TRIKOT Δ
 V primeru vezave ZVEZDA Y
 glej nalepko v pokrovu
 Standard connection scheme is DELTA Δ
 If required STAR Y see the
 connection diagram in the cover



Vzmetna ploščica na kabelski strani
 - navodilo za kontrolo ventilatorja 0301-1-4446
 - checking instructions 0301-1-4446

Hidria MADE IN SLOVENIA **CE** DATE
 R13R-6330HP-6T2-7042 0313-4-1017
 3~400V 50Hz D/Y 600/380W 1,25/0,65A 870/640RPM
 cos ϕ =0,70 MAX.AMB.40°C IP54 INS.CL.155
 TH.PROT. ROT. ←

ErP: Effes=32,7% (A,static) N=40,1

AC	C	Spremeni se Erp podatke: Effes z 31,8% na 32,7% ter N z 39,2 na 40,1. Spremeni se verzija artikla z AB v AC. Risba v Windchillu je skladna z risbo v arhivu.	03.09.14	Jure L.
Verzija Artikla:	Verzija risbe:	Opis spremembe:	Datum:	Izdelal:
Article revision:	DRW Revision:	Description of change:	Date:	Produced:
DATUM/DATE	IME / NAME	POVRŠINSKA OBD. SURFACE TEXTURE	NAZIV: TITLE:	
KONSTRUIRAL / DRN:	03.09.2014	Uroš Kunc	VENTILATOR Hef	
ODOBRIL / APP:	04.09.2014	Laharnar, Jure	R13R-6330HP-6T2-7042	
Potrjeno/Approved		KODA MATERIALA MATERIAL CODE	KODA: CODE:	
Hidria		MASA: MASS:	0313-4-1017	
NETOL. MERE/UNTOL DIM ISO 2768-m		DZJ	VERZIJA ARTIKLA: REVISION ARTICLE:	
MERILO/FORMAT 1:4/A3			AC	
			VERZIJA RISBE: DRW REVISION:	
			C.2	
			LIST/SHEET: 1/1	