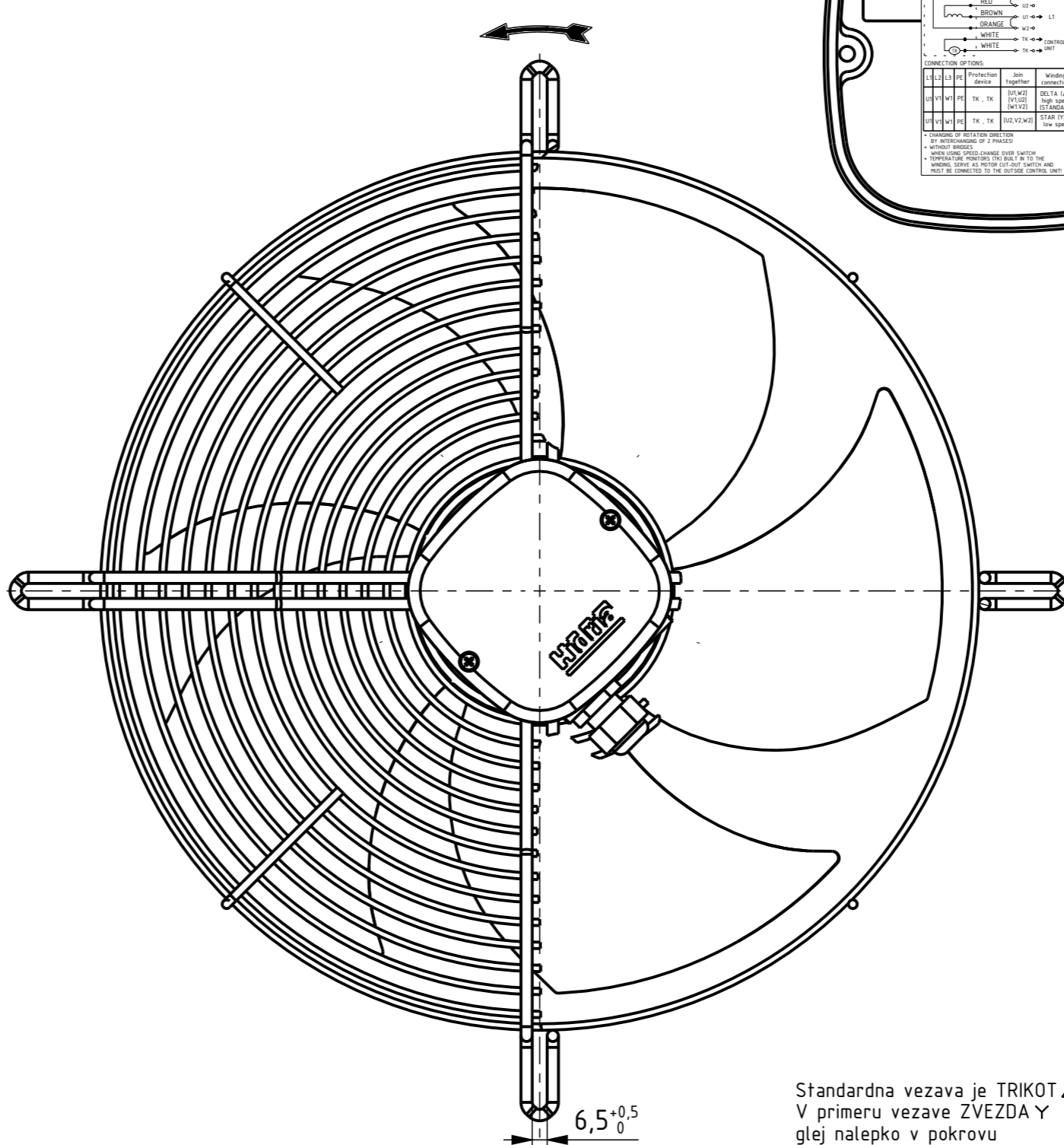
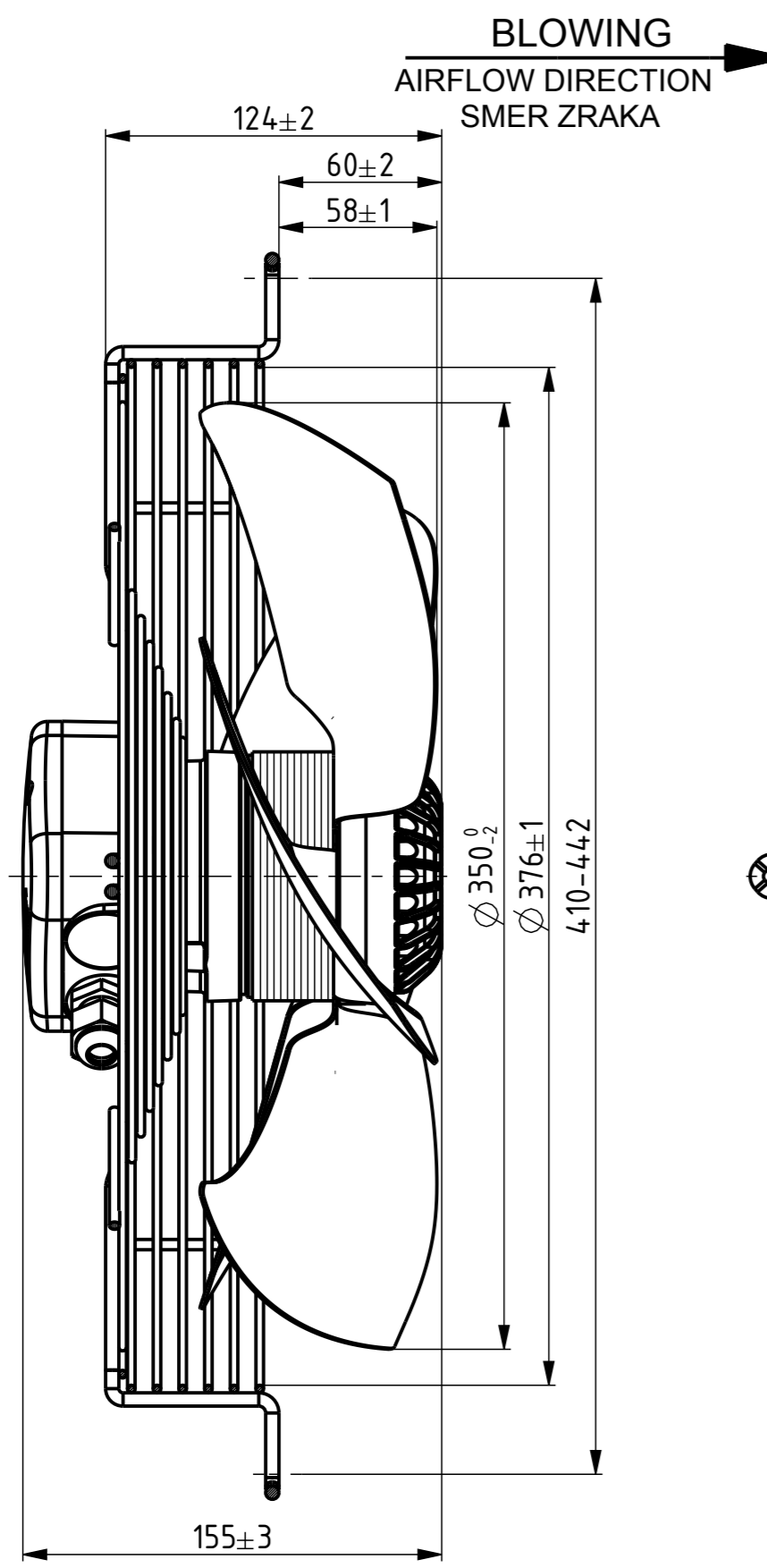
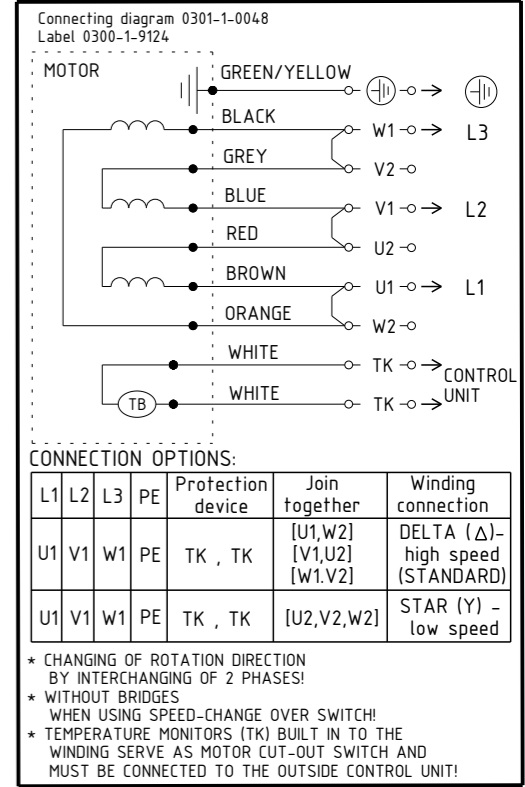
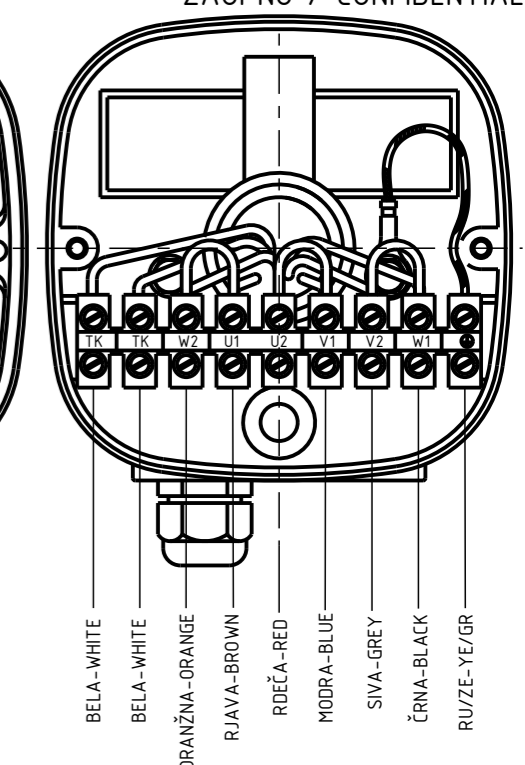
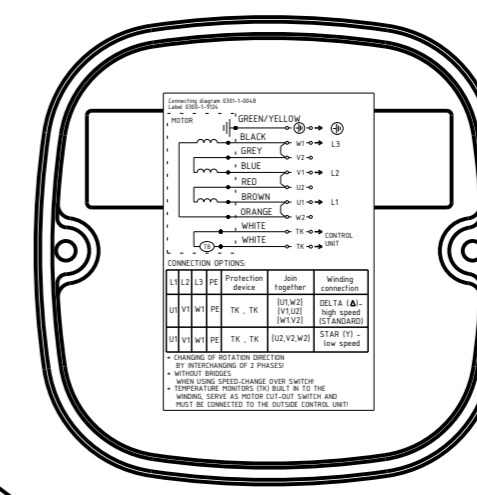


All drawings, regardless of form, are owned by Hidria Rotomatika d.o.o. and are strictly confidential and present copyright. Intellectual Property Rights as follows rights under the laws of patents, petty patents, design patents and registered designs, copyrights, trade secret rights, and similar exclusive rights in industrial property connected with the drawings are reserved by Hidria Rotomatika d.o.o.. Disclosure to any third party is strictly forbidden.



Standardna vezava je TRIKOT  $\Delta$   
 V primeru vezave ZVEZDA  $Y$   
 glej nalepko v pokrovu  
 Standard connection scheme is DELTA  $\Delta$   
 If required STAR  $Y$  see the  
 connection diagram in the cover



Navodila za kontrolo ventilatorja 0301-1-4862  
 Fan checking instruction 0301-1-4862

**Hidria** MADE IN SLOVENIA **CE** DATE  
 R09R-3530HP-4T2-4229 0309-4-1170  
 3~380-400V 50Hz D/Y 160/96W 0,36/0,16A 1330/1070RPM  
 MAX.AMB.55/70° C IP54 INS.CL.155  
 TH.PROT. ROT.

---

ErP: Effes=29,1% (A,static) N=40,7

AA	AA	Prva izdaja; Risba v Windchillu je skladna z risbo v arhivu.	10.12.2015	Uroš T.
Verzija Artikla:	Verzija risbe:	Opis spremembe:	Datum:	Izdelal:
Article revision:	DRW Revision:	Description of change:	Date:	Produced:
	DATUM/DATE	IME / NAME	NAZIV:	
KONSTRUIRAL / DRN:	10.12.2015	Uroš Kunc	TITL:	
ODOBRIL / APP:	11.12.2015	Uroš Tominec	VENTILATOR	
			R09R-3530HP-4T2-4229	
		Potrjeno/Approved	KODA:	VERZIJA ARTIKLA:
		<b>Hidria</b>	CODE:	REVISION ARTICLE:
			0309-4-1170	AA
			0309-4-1170	AA.1
				1/1