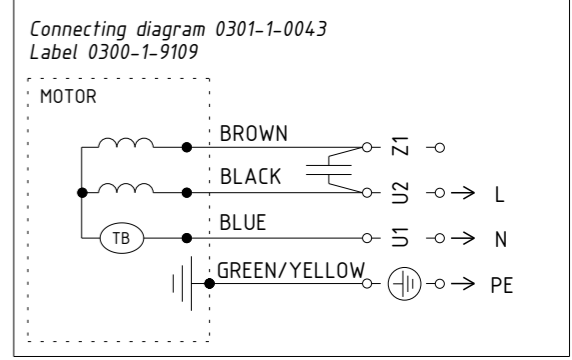
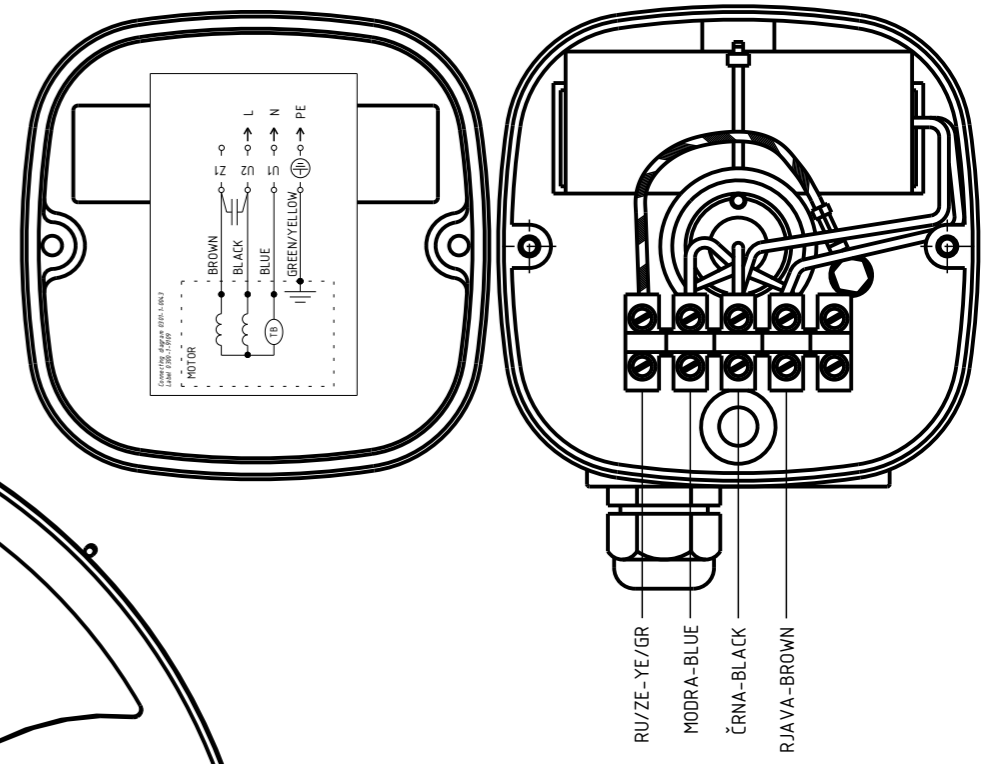
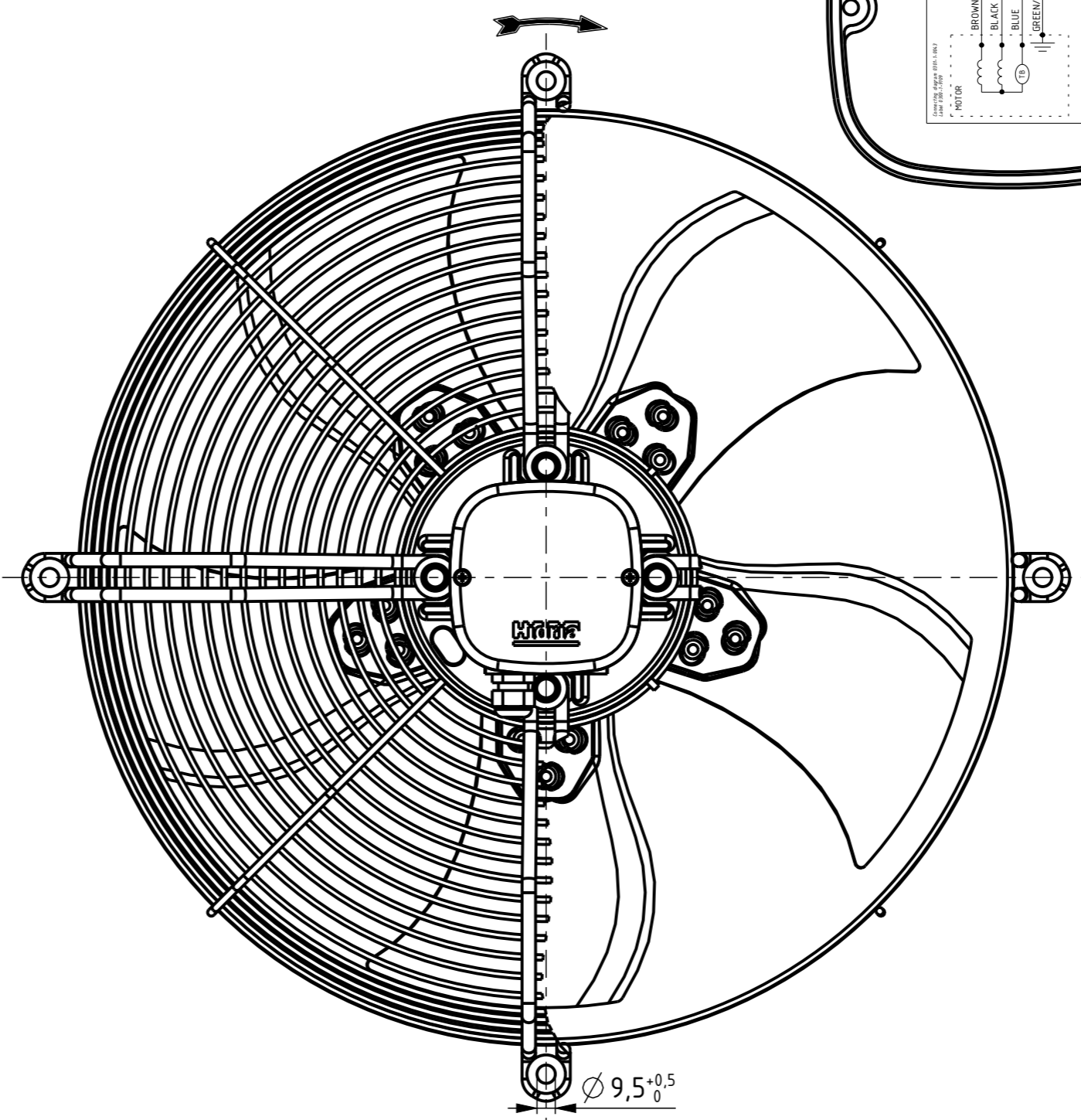
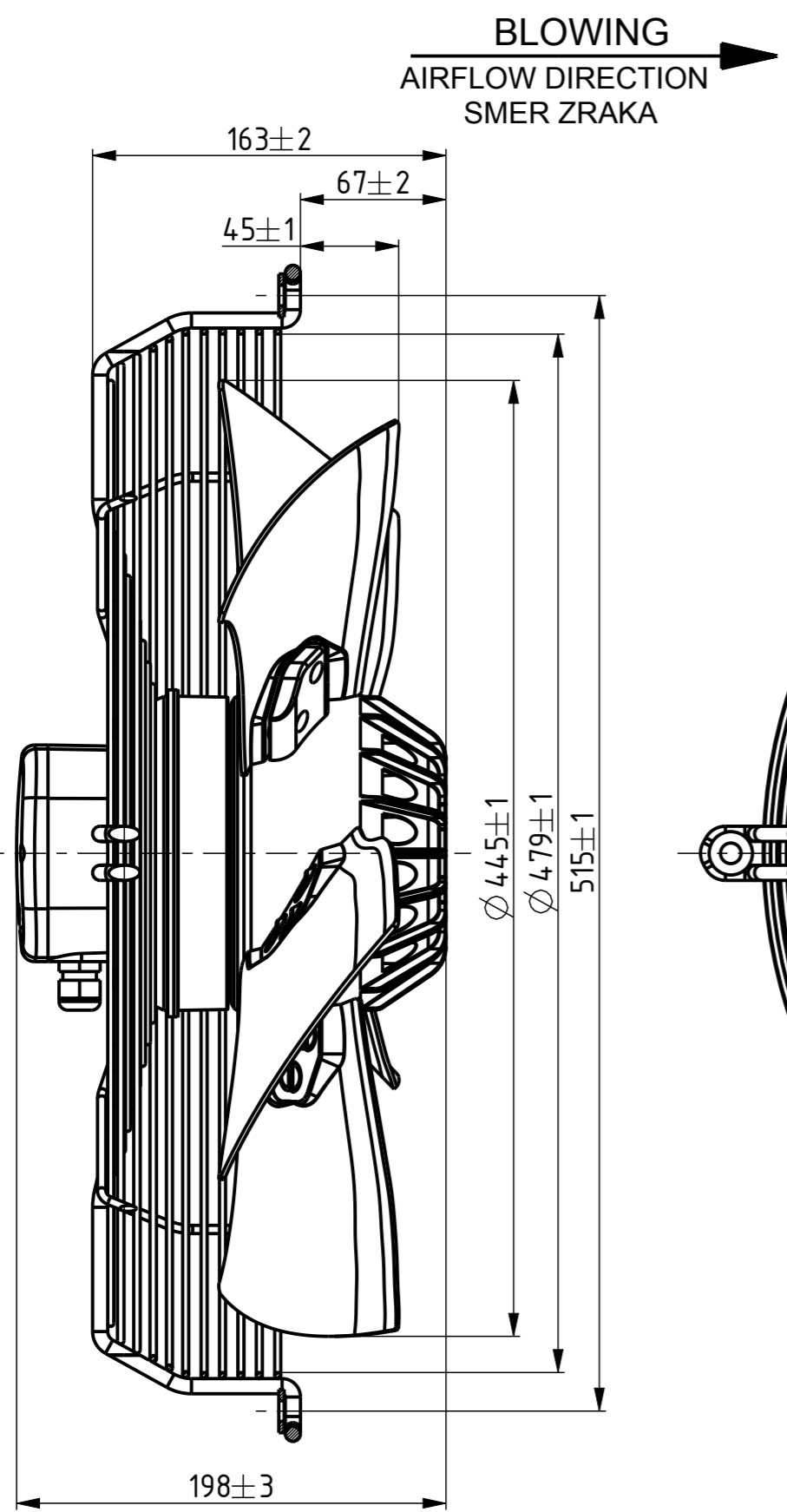


All drawings, regardless of form, are owned by Hidria Rotomatika d.o.o. and are strictly confidential and present copyright. Intellectual Property Rights as follows rights under the laws of patents, petty patents, design patents and registered designs, copyrights, trade secret rights, and similar exclusive rights in industrial property connected with the drawings are reserved by Hidria Rotomatika d.o.o.. Disclosure to any third party is strictly forbidden.



Opombe:
VENTILATOR NEBARVAN
Not coloured fan
 Vzmetna ploščica na kabelski strani
 Navodilo za kontrolo ventilatorja 0301-1-4943
 Checking instruction 0301-1-4943

Hidria MADE IN SLOVENIA	DATE
R13R-4530HP-4M-5066	0313-4-1177
1~230V 50Hz 400W 1,8A 1400RPM	
MAX.AMB.60° C IP54 INS.CL.155 C=10µF/450V	
TH.PROT. ROT.	
ErP: Effes=27,5% (A,static) N=36,1	

AA	AA	Prva izdaja. Risba v Windchillu je skladna z risbo v arhivu.	13.07.2016	Uroš K.
Verzija Artikla:	Verzija risbe:	Opis spremembe:	Datum:	Izdelal:
Article revision:	DRW Revision:	Description of change:	Date:	Produced:
KONSTRUIRAL / DRN:	13.07.2016	Uroš Kunc		
ODOBRIL / APP:				
Uvajanje spremembe		POVRVSINSKA OBD. SURFACE TEXTURE	NAZIV: TITLE:	
Hidria		MATERIAL	VENTILATOR	
		KODA MATERIALA MATERIAL CODE	R13R-4530HP-4M-5066	
		MASA: MASS:		
		NETOL. MERE/UNTOL DIM. ISO 2768-m	KODA: CODE:	
		MERIL/FORMAT 33:100/A3	0313-4-1177	
			0313-4-1177	
			VERZIJA ARTIKLA: VERZIJA RISBE: REVISION ARTICLE: DRW REVISION:	
			AA AA	
			LIST/SHEET: 1/1	