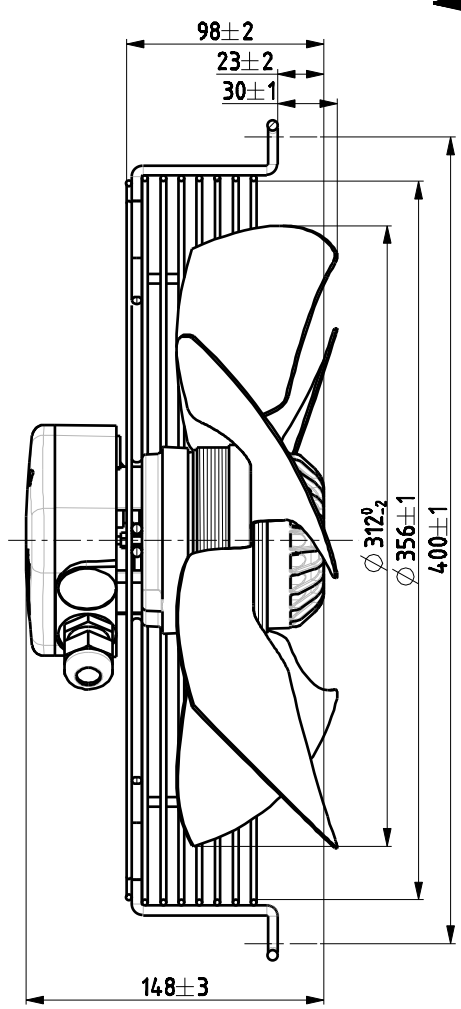
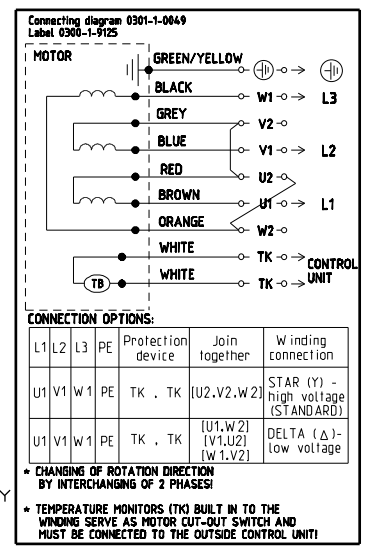
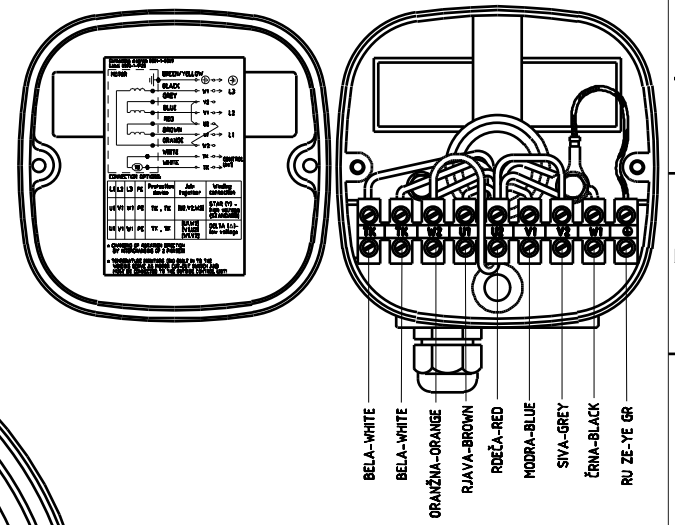
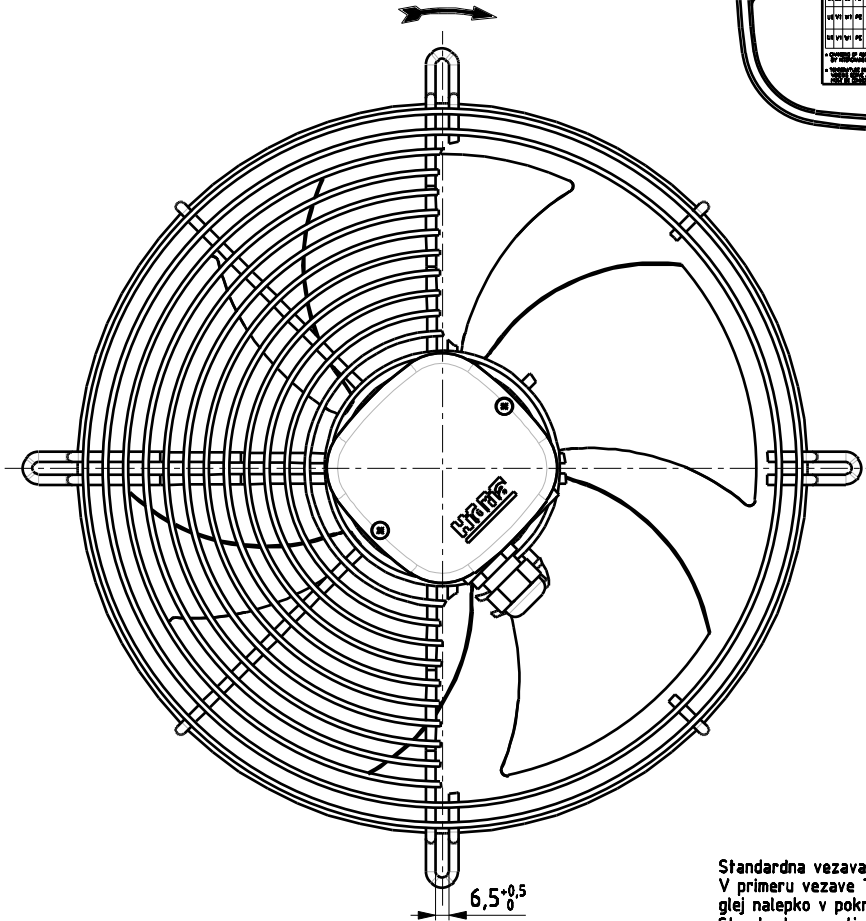


Vaak prenos tretjim osebam in uporaba v nedogovorene namene ni dovoljen.
 This document must not be copied without our written permission and/or transferred to a third party for any unauthorized purpose.



← SUCKING
 AIRFLOW DIRECTION
 SMER ZRAKA



Standardna vezava je ZVEZDA Y
 V primeru vezave TRIKOT Δ
 glej nalepko v pokrovu
 Standard connection scheme is STAR Y
 If required DELTA Δ see the connection diagram in the cover

HOMER MADE IN SLOVENIA **CE** DATE
 R09R-3130HA-4T-3524
 3~Y4.00V/D230V 50Hz 0.23/0.41A 100W 1340RPM
 3~Y4.00V/D230V 60Hz 0.22/0.39A 120W 1490RPM
 TH.PROT. IP54 INS.CL.F ROT. ←

Navodila za kontrolo 0301-1-4632
 Checking instruction 0301-1-4632

Homa		METOLERANSE NERE UNITOLERANČED DIM.		ISO 2768-m		MERLO/FORMAT 2:5 / A3	
Hidria Rotomatika		POVRŠINSKA OBD. SURFACE TEXTURE		MATERIAL		NAZIVA/TITLE: VENTILATOR R09R-3130HA-4T-3524	
AVNA		DATUM 06-Oct-2009		PODPIS Uroš K.		KODA/ CODE: 0309-4-1039	
PROJEKTORIAL		06-Oct-2009		ALJE H.		VERZIJA/ REV: 0309-L-1039	
POTRIL ROTORNIKA MOTORS		POTRIL		POTRIL		LIST/ SHEET: 1	
POTRIL OPE LITANJEVO		POTRIL		POTRIL		OD/ OF: 1	
POTRIL OPE LITANJE		POTRIL		POTRIL			
POTRIL ROTORNIKA PANG		POTRIL		POTRIL			
1	356/08	06-Oct-2009	Uroš K.				
ST.	ST.SPR.	DATUM	PODPIS				