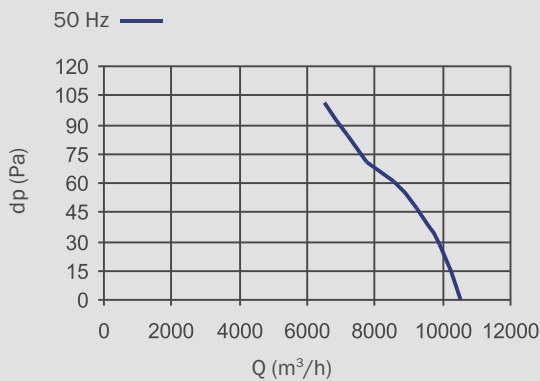




Diameter: 630 mm

Aerodynamic characteristic:



Performance Data:

1~230V 50Hz

$P_1 = 680W$

$n = 890\text{min}^{-1}$

$I = 3,1A$

$t_R = 50^\circ C$

$L_{wa} = 77\text{ dB(A)}$

$C = 18\mu F / 450V$

Connection: terminal box

Ins.Cl. F

IP54

Notes:

Fan characteristic measured in full bell mouth with guard grill

Fan with wall plate

Airflow

Direction

»S«
»B«

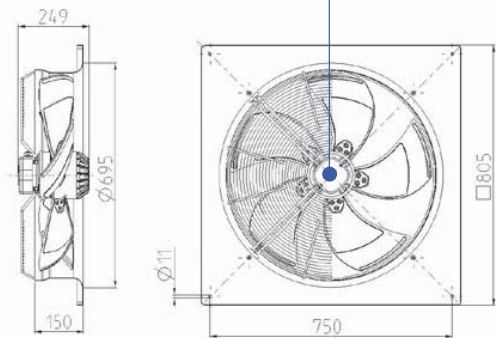
Type:

R13P-6330HA-6M-X055
R13P-6330HP-6M-X055

Code:

0313-4-1060

R13P-6330H-6M-X055



Weight:

21 kg

Fan with guard grill

Airflow

Direction

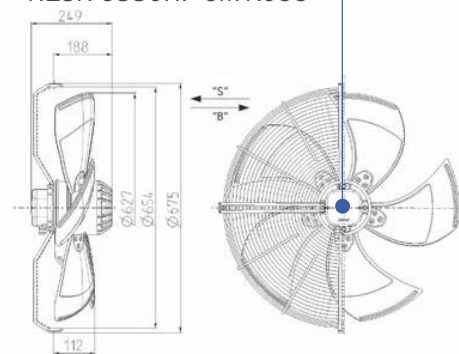
»S«
»B«

Type:

R13R-6330HA-6M-X055
R13R-6330HP-6M-X055

Code:

0313-4-1005



Weight:

13,3 kg

Fan without guard grill

Airflow

Direction

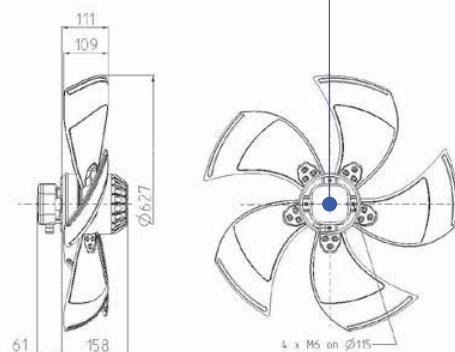
»S«
»B«

Type:

R13E-6330HA-6M-X055
R13E-6330HP-6M-X055

Code:

0313-4-1061



Weight:

10,5 kg