

Diameter:

315 mm

R09_-3132_-4M-3509



Nominal data according to standard EN 60335:

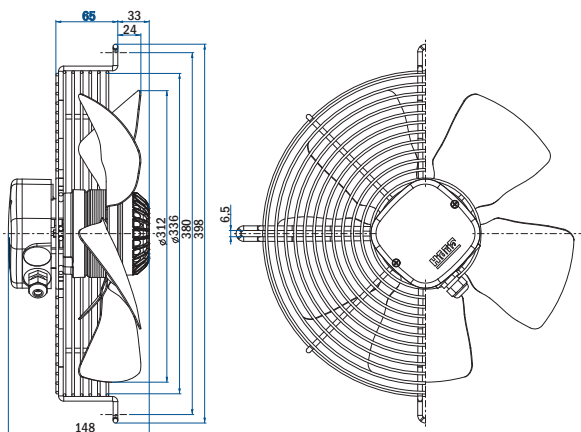
Phase	1~
Nominal voltage	230 V
Frequency	50/60 Hz
Rated power input	68/117 W
Rated current	0.38/0.51 A
Rated speed	1340/1490 RPM
Min. ambient temperature	-30 °C
Max. ambient temperature	55/45 °C
Sound power level A weighted	68/72 dB (A)
Condensator	3.15 µF/450 V
Connection	terminal box
Insulation class	155
Protection class	IP54

Is not subject to the EU regulation 327/2011.

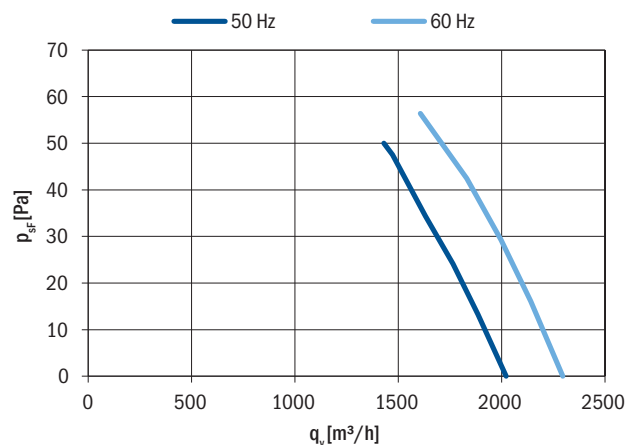
Power input lower than 125 W.

Fan with guard grill

Airflow Direction	Type	Code	Weight (kg)
Sucking	R09R-3132A-4M-3509	0309-4-0048	3.5
Blowing	R09R-3132P-4M-3509	0309-4-0075	



Aerodynamic characteristic



Fan characteristic measured in short bell mouth with guard grill

Fan with plate

Airflow Direction	Type	Code	Weight (kg)
Sucking	R09P-3132A-4M-3509	On request	
Blowing	R09P-3132P-4M-3509	On request	

Fan without guard grill

Airflow Direction	Type	Code	Weight (kg)
Sucking	R09E-3132A-4M-3509	On request	
Blowing	R09E-3132P-4M-3509	On request	

General notes

Connection diagram: Sucking	0301-1-0026	Page 145
Blowing	0301-1-0002	
Accessories		Page 134
Compliant to standards		Page 28