

R09_-3532_-4M-4237

Diameter:

350 mm

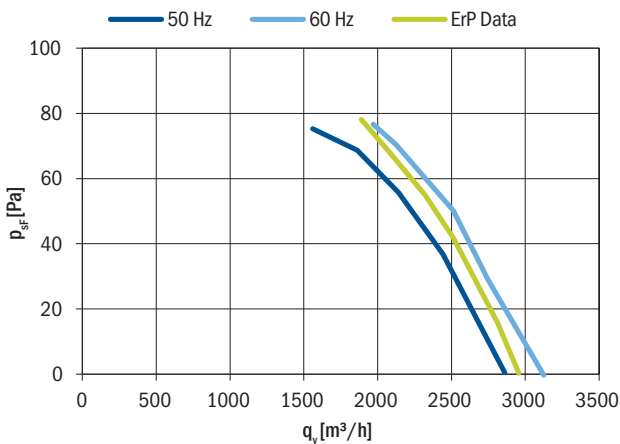
Nominal data according to standard EN 60335:

| | |
|------------------------------|---------------|
| Phase | 1~ |
| Nominal voltage | 230 V |
| Frequency | 50/60 Hz |
| Rated power input | 130/165 W |
| Rated current | 0.58/0.72 A |
| Rated speed | 1280/1350 RPM |
| Min. ambient temperature | -30 °C |
| Max. ambient temperature | 70/65 °C |
| Sound power level A weighted | 71/73 dB (A) |
| Condensator | 4 µF/450 V |
| Connection | terminal box |
| Insulation class | 155 |
| Protection class | IP54 |

ErP data according to EU regulation 327/2011:

| | |
|----------------------|-----------|
| Overall efficiency | 26.2 % |
| Measurement category | A |
| Efficiency category | static |
| Efficiency grade N | 37.7 |
| Variable speed drive | N0 |
| Power input | 149 W |
| Air flow | 1889 m³/h |
| Pressure drop | 78 Pa |
| Speed | 1285 RPM |
| Specific ratio | 1.00 |

Aerodynamic characteristic



Fan characteristic measured in short bell mouth with guard grillErP characteristic measured in full bell mouth without guard grill

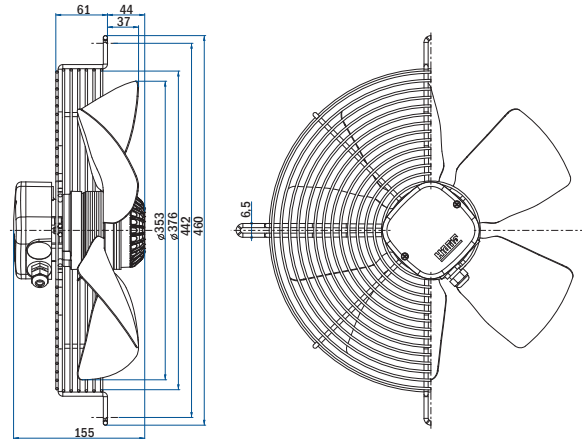
General notes

| | | |
|-----------------------------|-------------|----------|
| Connection diagram: Sucking | 0301-1-0043 | Page 145 |
| Blowing | 0301-1-0044 | |
| Accessories | | Page 134 |
| Compliant to standards | | Page 28 |



Fan with guard grill

| Airflow Direction | Type | Code | Weight (kg) |
|-------------------|--------------------|-------------|-------------|
| Sucking | R09R-3532A-4M-4237 | 0309-4-0108 | 4.0 |
| Blowing | R09R-3532P-4M-4237 | 0309-4-0221 | |



Fan with plate

| Airflow Direction | Type | Code | Weight (kg) |
|-------------------|--------------------|------------|-------------|
| Sucking | R09P-3532A-4M-4237 | On request | |
| Blowing | R09P-3532P-4M-4237 | On request | |

Fan without guard grill

| Airflow Direction | Type | Code | Weight (kg) |
|-------------------|--------------------|------------|-------------|
| Sucking | R09E-3532A-4M-4237 | On request | |
| Blowing | R09E-3532P-4M-4237 | On request | |