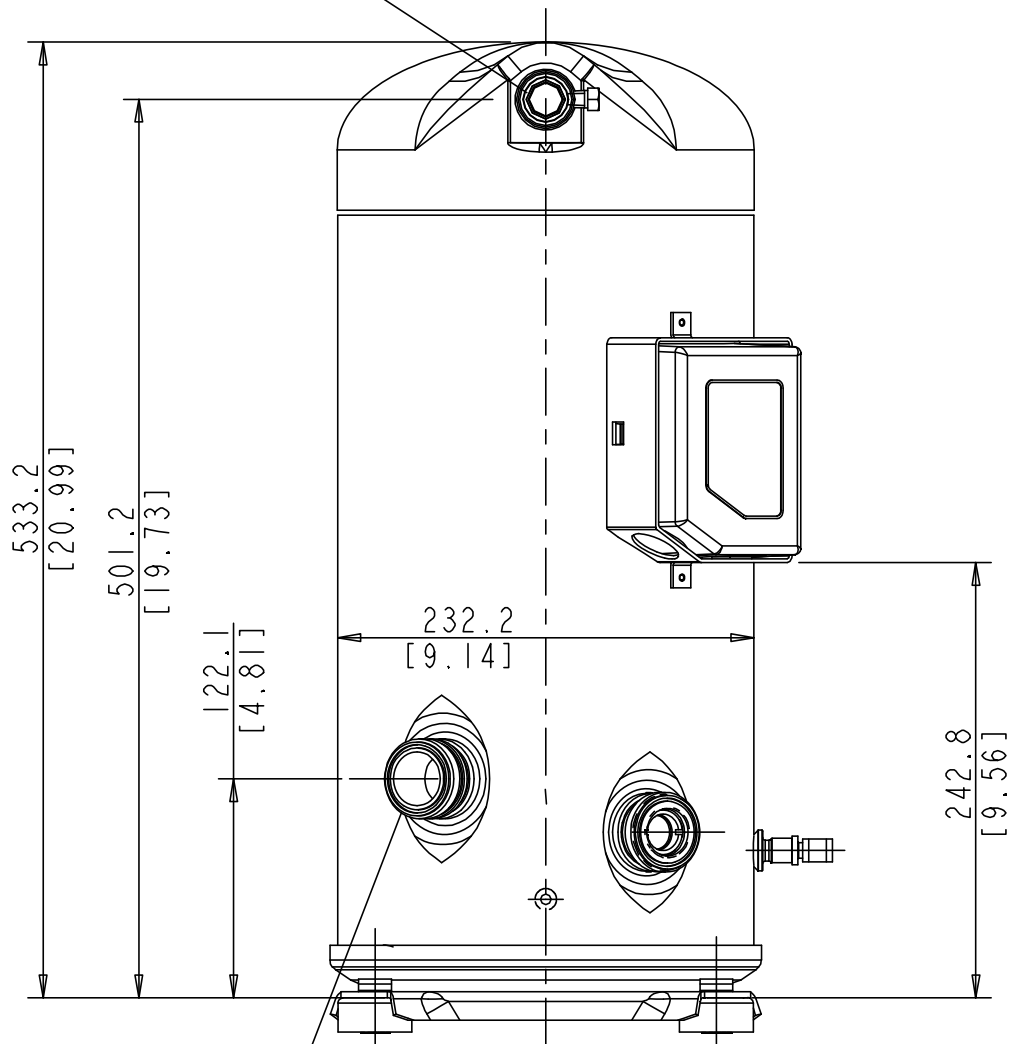


ZB 66, 76

[1.25-12] THREAD ROTALOCK SPUD/
DISCHARGE CHECK VALVE
TORQUE RANGE 27.1-40.6 NEWTON-METERS
[240-360 in-lbs]



[1.75-12] THREAD ROTALOCK SPUD
SUCTION FITTING
TORQUE RANGE 40.6-54.2
NEWTON-METERS
[360-480 in-lbs]

