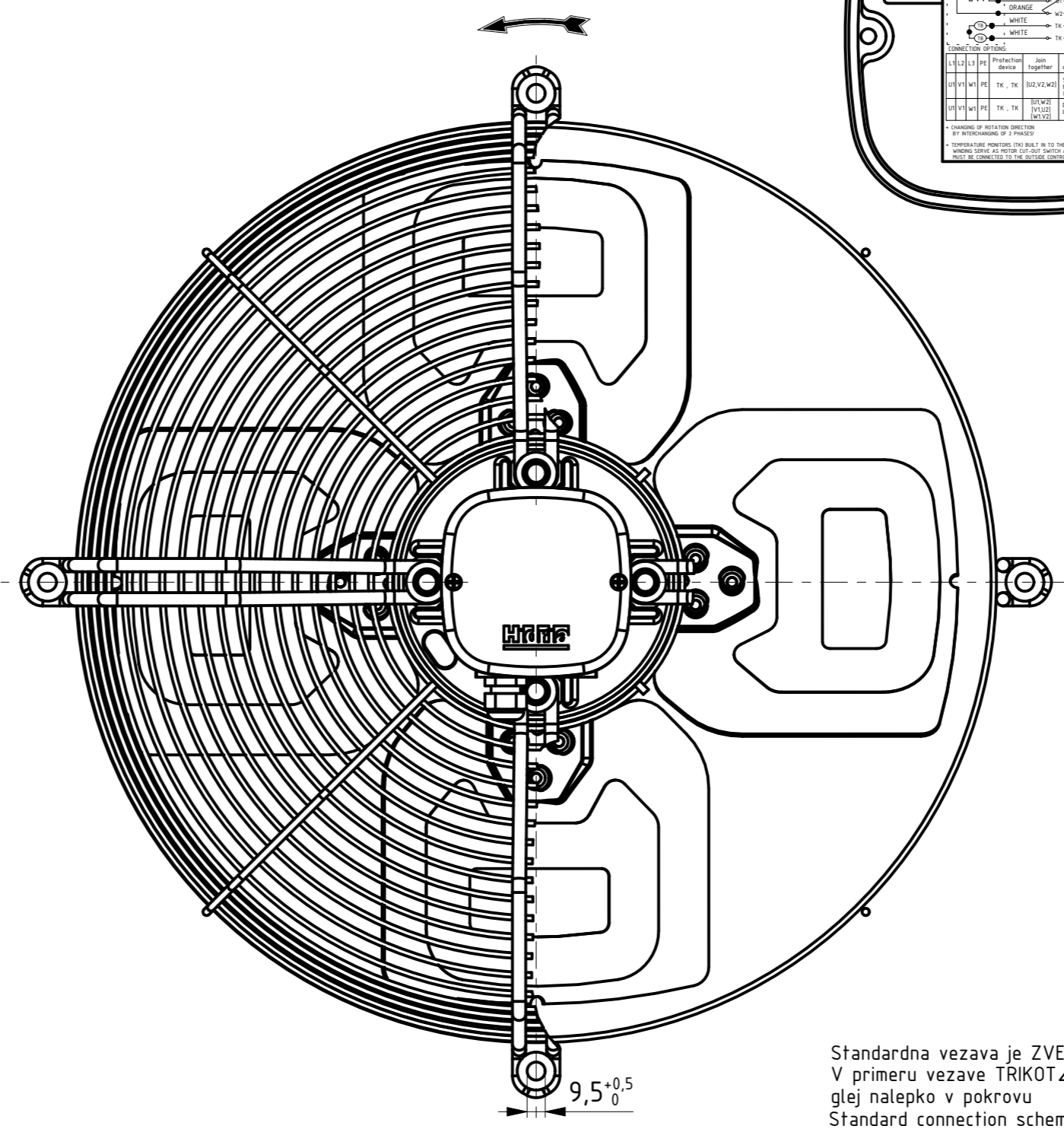
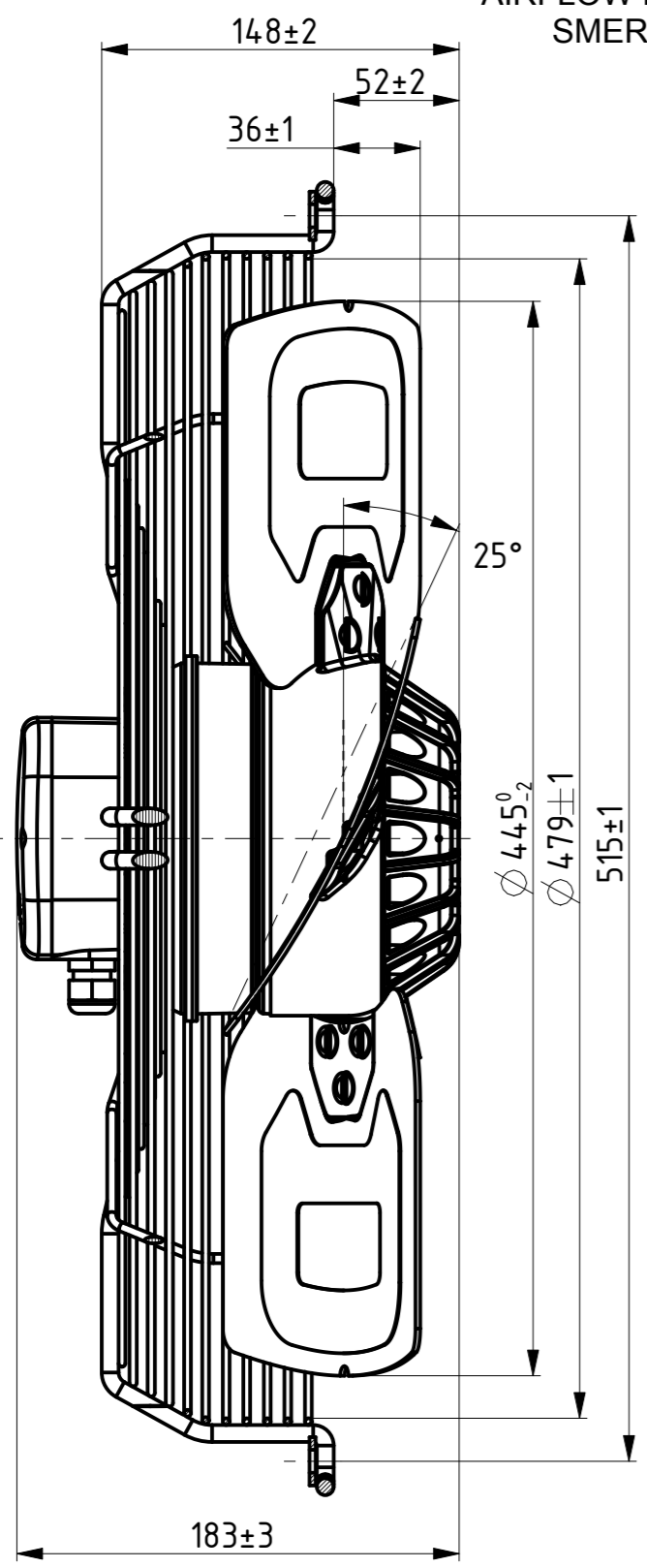
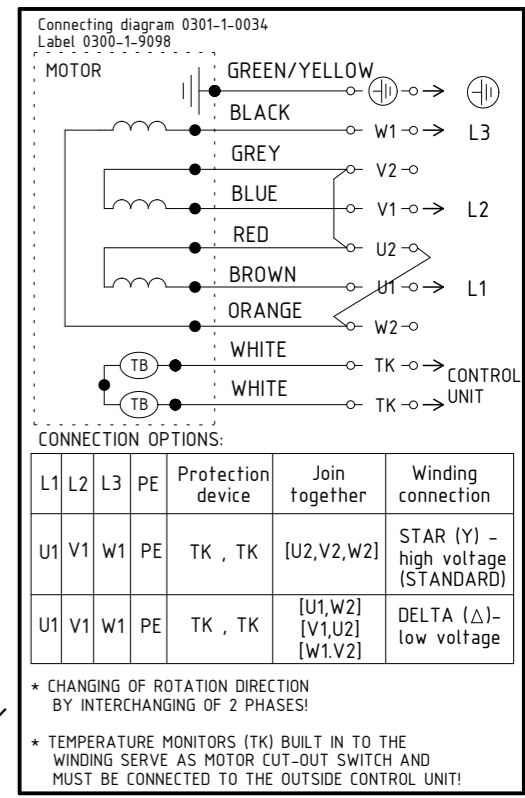
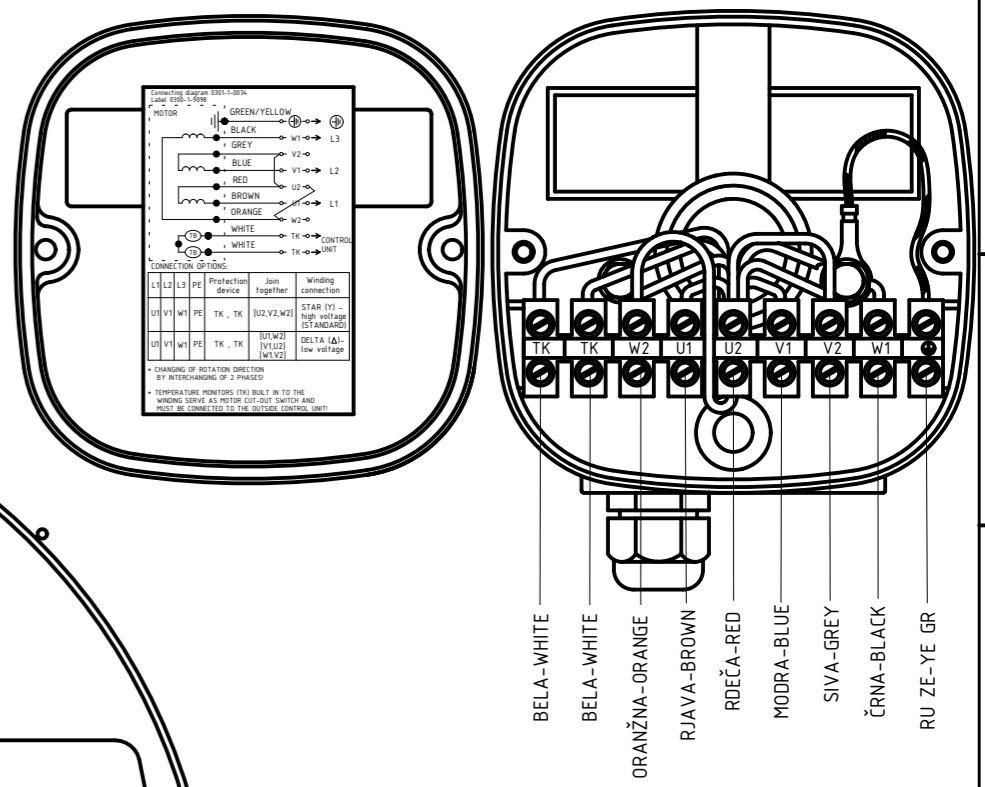


Vsak prenos tretjim osebam in uporaba v nedogovorjene namene ni dovoljen. This document must not be copied without our written permission and/or transferred to a third party for any unauthorized purpose.

**SUCKING**  
**AIRFLOW DIRECTION**  
**SMER ZRAKA**



Standardna vezava je ZVEZDA Y  
 V primeru vezave TRIKOT Δ  
 glej nalepko v pokrovu  
 Standard connection scheme is STAR Y  
 If required DELTA Δ see the  
 connection diagram in the cover



Opomba:  
 Vzmetna ploščica na kabelski strani  
 - navodilo za kontrolo ventilatorja 0301-1-4280  
 - checking instruction 0301-1-4280

**HORMA** MADE IN SLOVENIA **CE** DATE

R13R-4525A-4T-3529 0313-4-0138  
 3~400/230V 50Hz 290W 0,81/1,4A 1350RPM MAX.AMB.40°C  
 3~400/230V 60Hz 410W 0,81/1,4A 1530RPM MAX.AMB.65°C  
 IP54 INS.CL.155  
 TH.PROT. ROT.

ErP: Effes=33,0% (A,static) N=4,2,3

<b>HORMA</b>		NETOLERIRANE MERE UNTOLERANCED DIM.		ISO 2768-m		MERO/FORMAT 33:100 / A3	
Izdano		POVRŠINSKA OBD. SURFACE TEXTURE		MATERIAL		NAZIV: TITTLE:	
RISAL		DATUM		PODPIS		KODA: CODE:	
PROJEKTIRAL		24-Nov-2003		Matej Š.		0313-4-0138	
POTRIL ROTMATRIKA MOTORS		27-Sep-2007		Uroš K.		VERZIJA: REV:	
POTRIL SPE LIVARSTVO		16-Jan-2006		Uroš K.		AB	
POTRIL SPE LAJELLE		18-Mar-2004		Matej Š.		LIST: SHEET: 1	
POTRIL ROTMATRIKA FANS		47/04		ST.		OD: OF: 1	
POTRIL		ST.SPR.		DATUM		PODPIS	