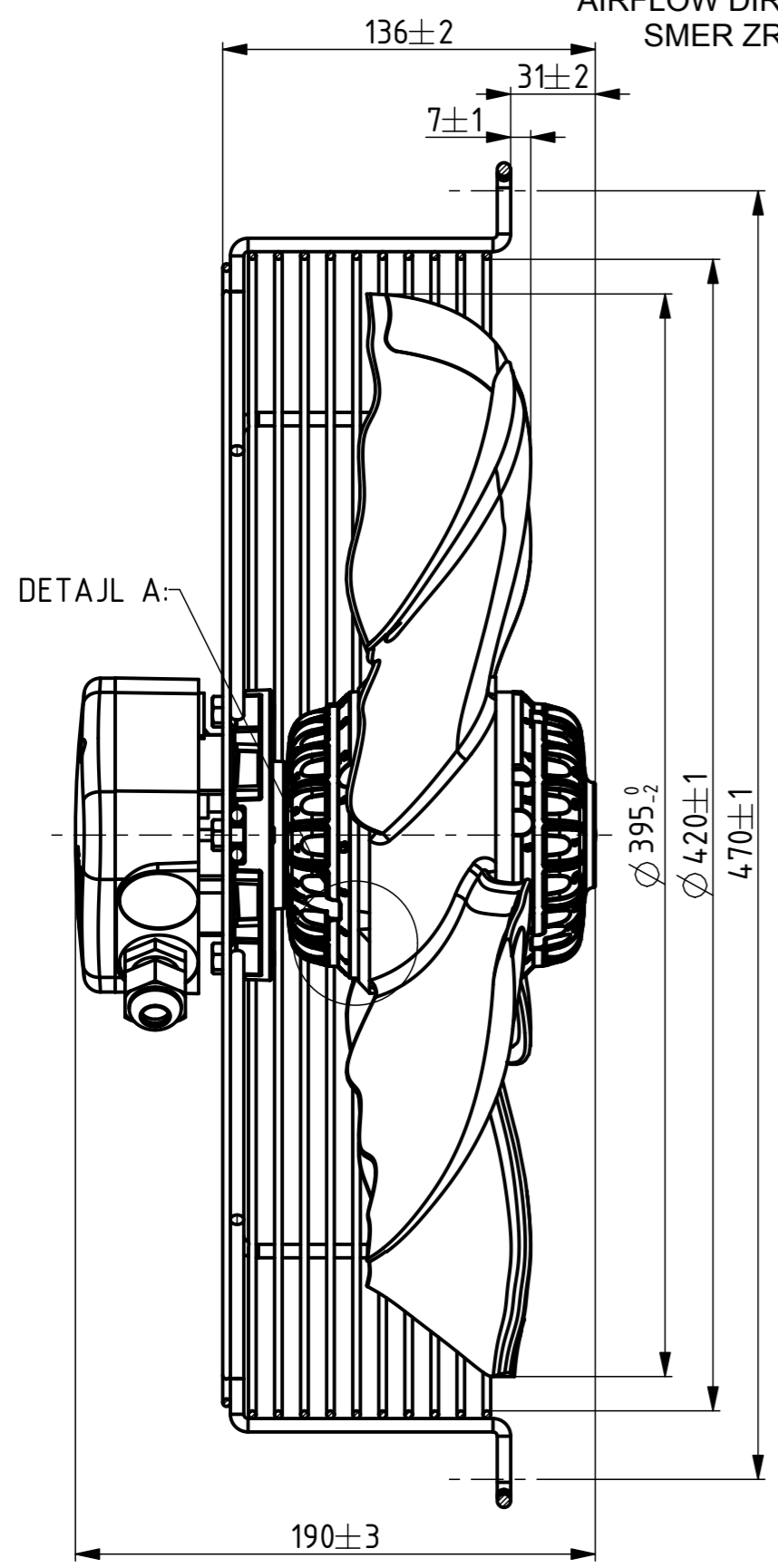


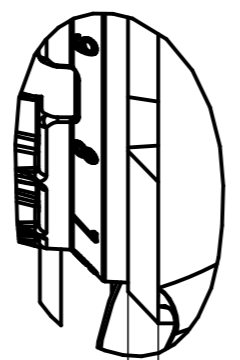
All drawings, regardless of form, are owned by Hidria Rotomatika d.o.o. and are strictly confidential and present copyright. Intellectual Property Rights as follows rights under the laws of patents, petty patents, design patents and registered designs, copyrights, trade secret rights, and similar exclusive rights in industrial property connected with the drawings are reserved by Hidria Rotomatika d.o.o.. Disclosure to any third party is strictly forbidden.

**SUCKING**  
**AIRFLOW DIRECTION**  
**SMER ZRAKA**



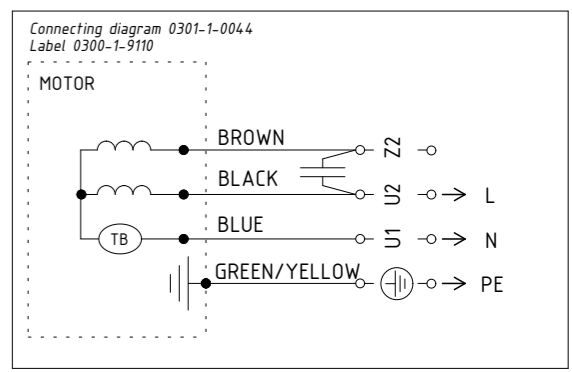
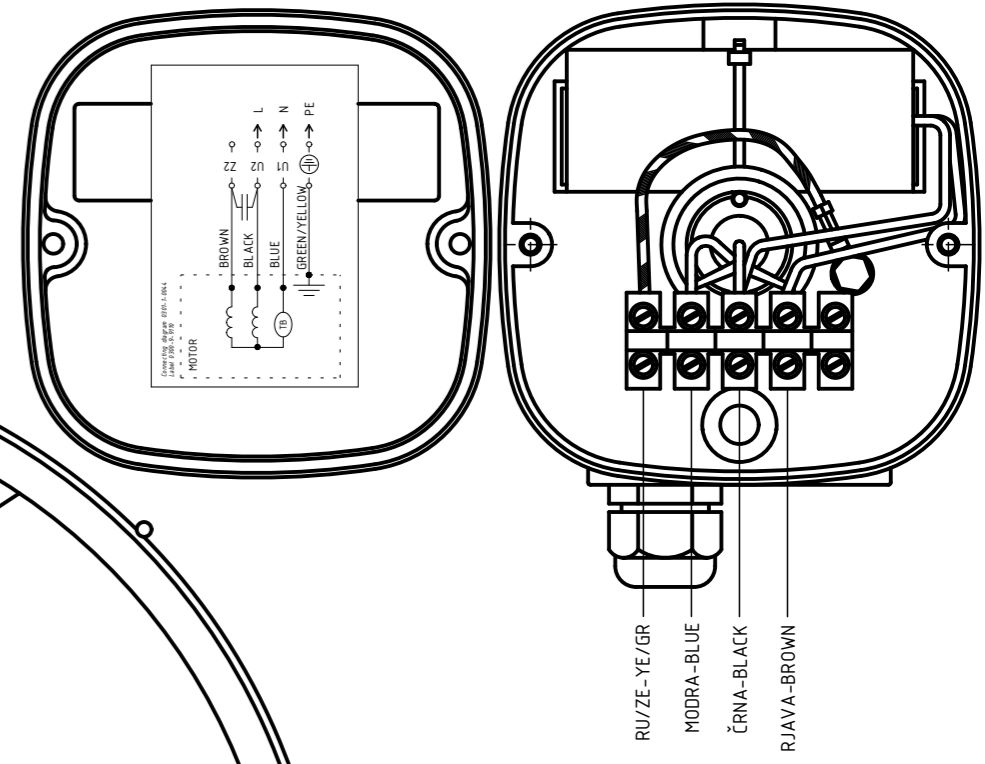
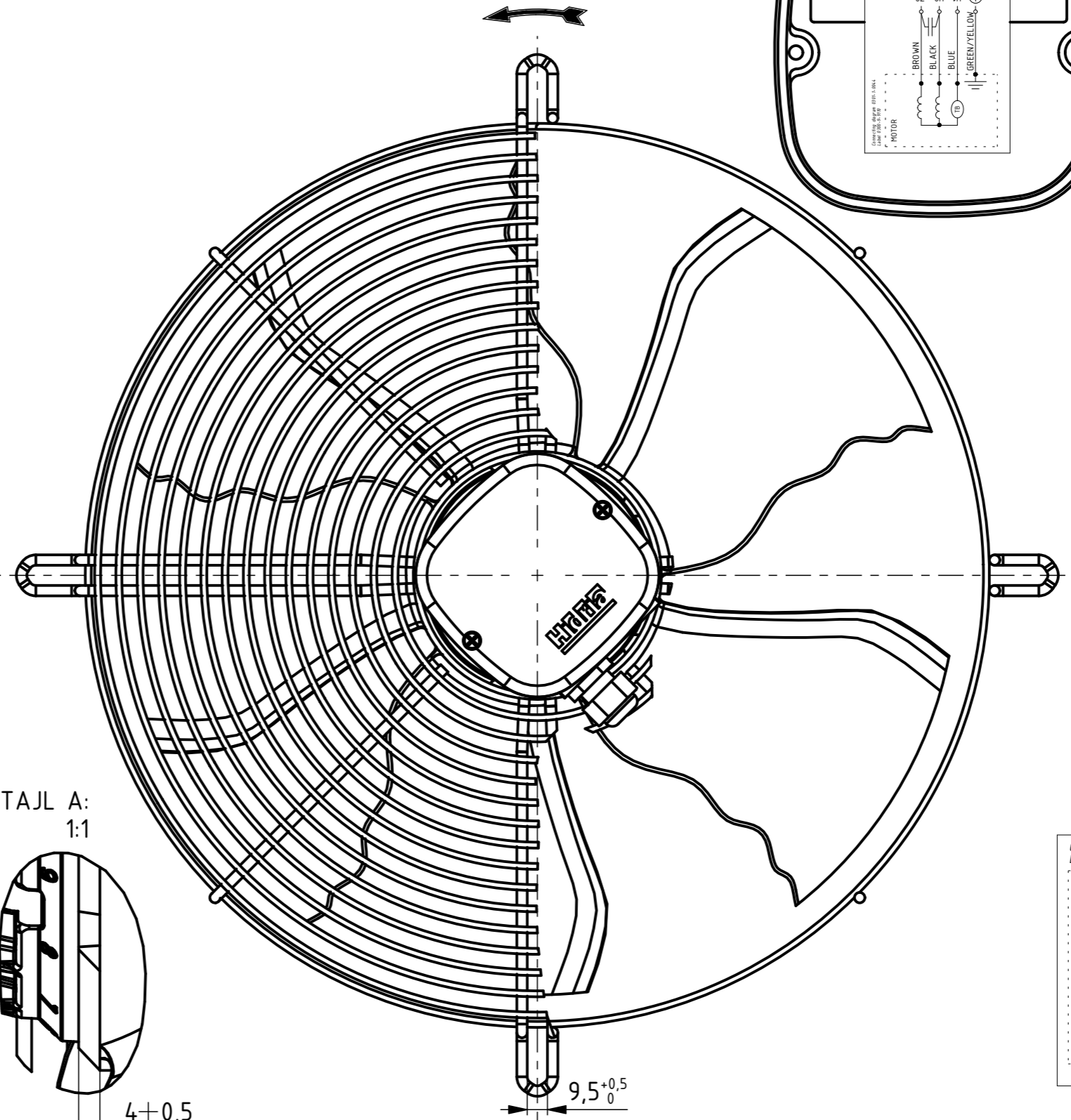
DETAJL A:

DETAJL A:  
1:1



Pozicija ventilatorja  
 Position of fan

<b>Hidria</b>	MADE IN SLOVENIA	<b>CE</b>	DATE
R11R-40LPS-6M-3806			0311-4-0490
1~230V 50/60Hz 89/120W 0,39/0,52A 880/980RPM			
MAX.AMB.70/60° C IP54 INS.CL.155 C=3µF/450V			
TH.PROT. ROT.			



Opomba:  
 - navodila za kontrolo ventilatorja 0301-1-4910  
 - fan checking instruction 0301-1-4910

AA	AA	1. izdaja; Risba v Windchillu je skladna z risbo v arhivu.	20.05.15	Uroš T.
Verzija artikla:	Verzija risbe:	Opis spremembe:	Datum:	Izdelal:
Article revision:	DRW Revision:	Description of change:	Date:	Produced:
KONSTRUIRAL / DRN:	20.05.2015	Uroš Kunc		
ODOBRIL / APP:	21.05.2015	Uroš Tominec		
<b>Potrjeno/Approved</b> 		POVRŠINSKA OBD. SURFACE TEXTURE	NAZIV: TITLE:	
		MATERIAL	<b>VENTILATOR</b> <b>R11R-40LPS-6M-3806</b>	
		KODA MATERIALA MATERIAL CODE	MASA: MASS:	KODA: CODE:
		NETOL. MERE/UNTOL DIM. ISO 2768-m	DZJ	VERZIJA ARTIKLA: REVISION ARTICLE:
		MERIL/FORMAT 2:5/A3		<b>AA</b> <b>AA</b>
			0311-4-0490 0311-4-0490	VERZIJA RISBE: DRW REVISION: <b>AA</b> <b>1/1</b>