

Diameter:

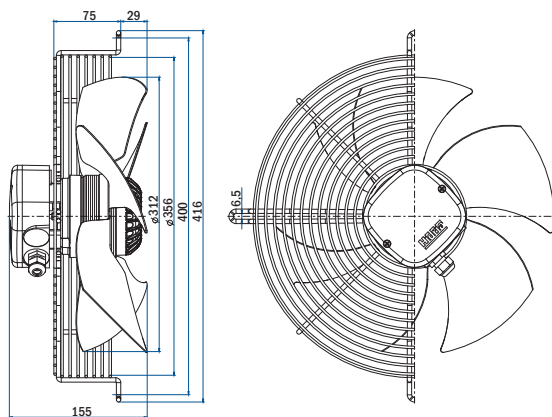
315 mm

R09_-3130H_-4T-3524



Fan with guard grill

Airflow Direction	Type	Code	Weight (kg)
Sucking	R09R-3130HA-4T-3524	0309-4-1039	3.4
Blowing	R09R-3130HP-4T-3524	On request	



Fan with plate

Airflow Direction	Type	Code	Weight (kg)
Sucking	R09P-3130HA-4T-3524	On request	
Blowing	R09P-3130HP-4T-3524	On request	

Fan without guard grill

Airflow Direction	Type	Code	Weight (kg)
Sucking	R09E-3130HA-4T-3524	On request	
Blowing	R09E-3130HP-4T-3524	On request	

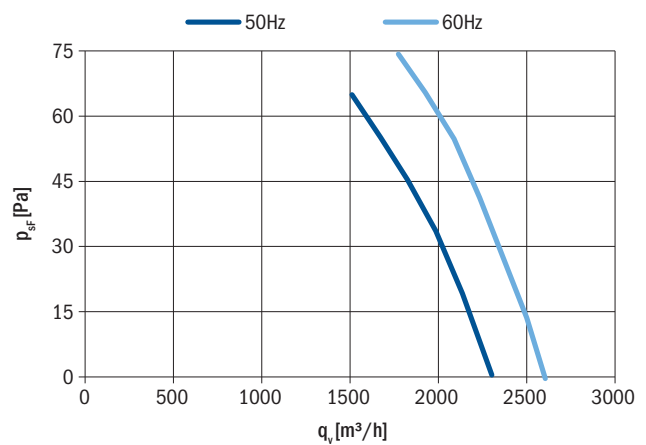
Nominal data according to standard EN 60335:	
Phase	3~
Nominal voltage	400/230 V
Frequency	50/60 Hz
Rated power input	100/120 W
Rated current	0.23/0.41/0.22/0.39 A
Rated speed	1340/1490 RPM
Min. ambient temperature	-30 °C
Max. ambient temperature	55 °C
Sound power level A weighted	69/73 dB (A)
Connection	terminal box
Insulation class	155
Protection class	IP54

ErP data according to EU regulation 327/2011:

Is not subject to the EU regulation 327/2011.

Power input lower than 125 W.

Aerodynamic characteristic



Fan characteristic measured in full bell mouth with guard grill

General notes

Connection diagram: Sucking	0301-1-0049	Page 146
Blowing	0301-1-0049	
Accessories		Page 134
Compliant to standards		Page 28