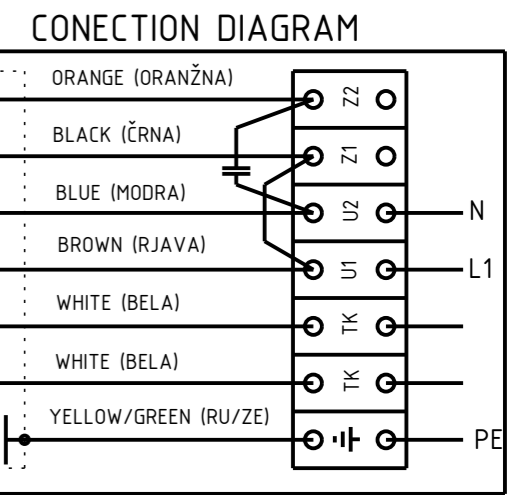
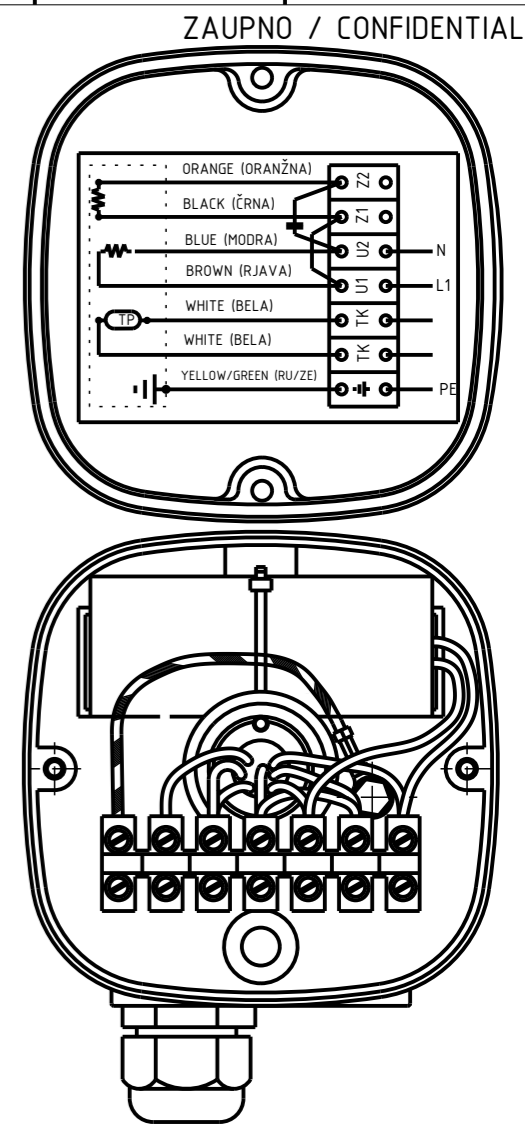
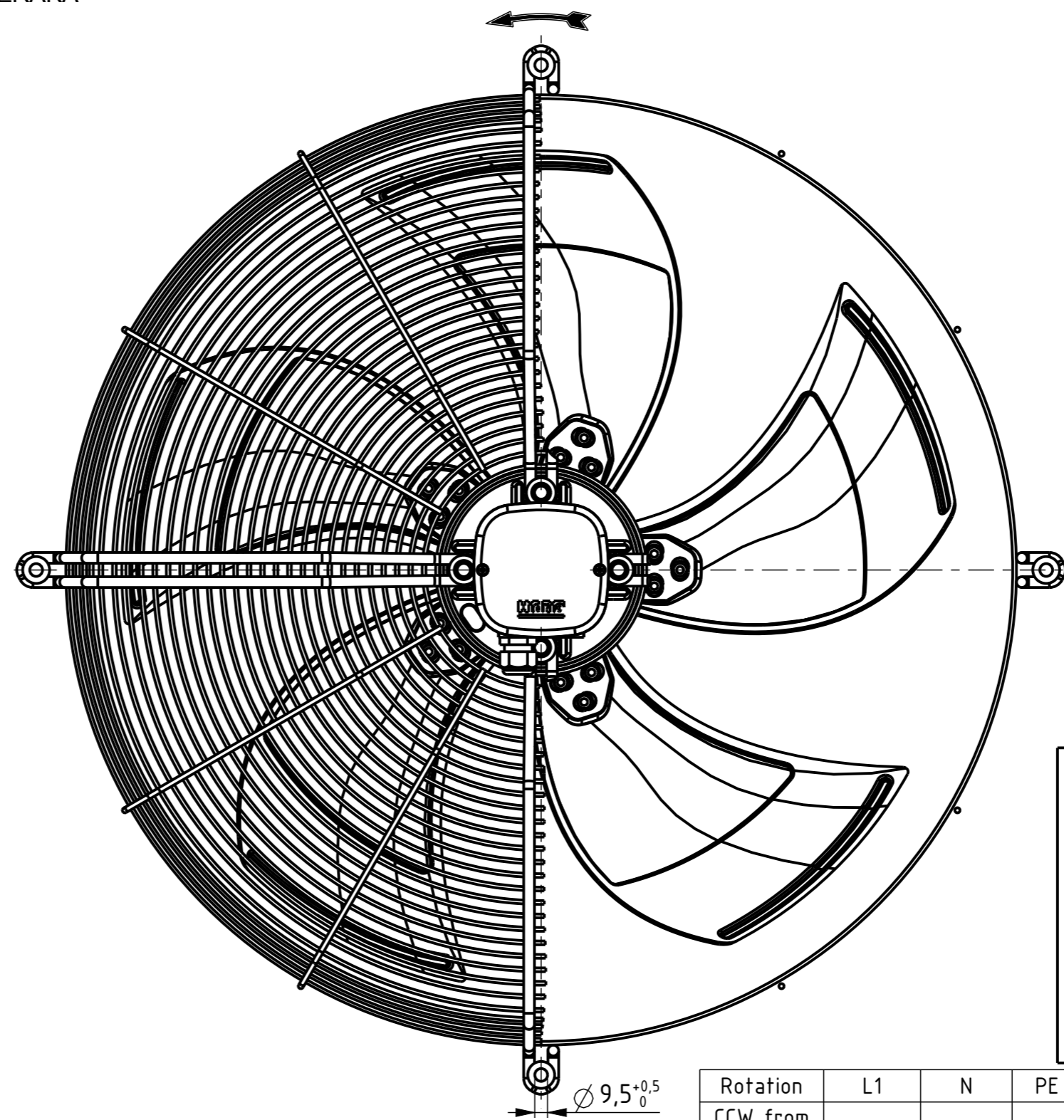
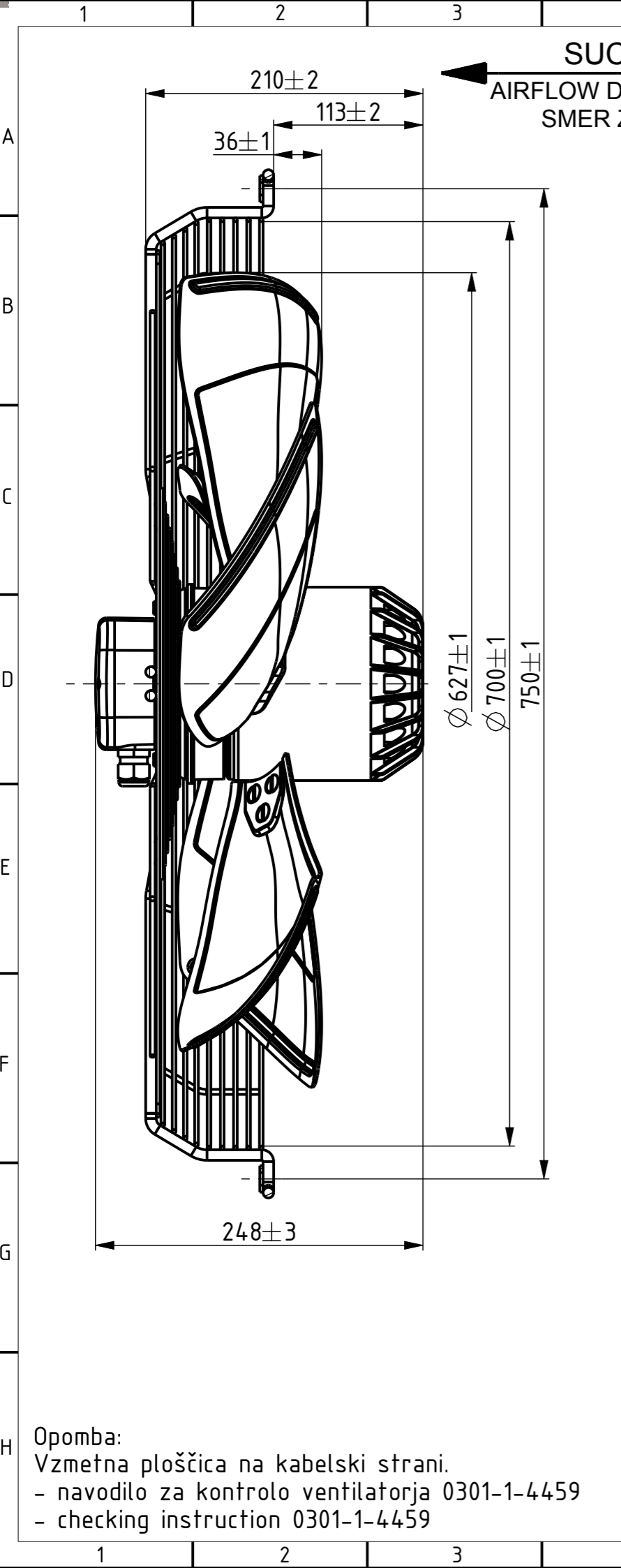


All drawings, regardless of form, are owned by Hidria Rotomatika d.o.o. and are strictly confidential and present copyright. Intellectual Property Rights as follows rights under the laws of patents, petty patents, design patents and registered designs, copyrights, trade secret rights, and similar exclusive rights in industrial property connected with the drawings are reserved by Hidria Rotomatika d.o.o.. Disclosure to any third party is strictly forbidden.

Risbe so last družbe Hidria-Rotomatika d.o.o. in predstavljajo poslovno skrivnost in so avtorsko delo. Vse pravice iz patentov, blagovnih znamk in modelov povezanih z risbami pripadajo družbi Hidria Rotomatika d.o.o.. Vsak prenos tretjim osebam brez pismene dovoljenja družbe Hidria Rotomatika d.o.o. je strogo prepovedan.



Rotation	L1	N	PE	Join together	Winding connection
CCW from cable side	U1=brown	U2=blue	YE/GR	[Z1,U1]	1~motor with capacitor and thermal contact

AB	B	Zamenja se zaščitno mrežo 0300-1-3087 z 0300-1-3143, v nalepki z nazivnimi podatki ventilatorja se umakne logo CE. Spremeni se verzija artikla z AA v AB. Risba v Windchillu je skladna z risbo v arhivu.	30.06.2016	Uroš K.
Verzija Artikla:	Verzija risbe:	Opis spremembe:	Datum:	Izdelal:
Article revision:	DRW Revision:	Description of change:	Date:	Produced:

**Hidria** MADE IN SLOVENIA DATE

R13R-6330HA-6M-X055 0313-4-1005

1~230V 50Hz 680W 3,1A 890RPM

IP54 INS.CL.155 C=18µF/450V

TH.PROT. ROT.

**Potrjeno/Approved**

**Hidria**

NETOL. MERE/UNTOL DIM ISO 2768-m

MERIL/FORMAT 1:4/A3

**VENTILATOR**  
**R13R-6330HA-6M-X055**

KODA: 0313-4-1005

VERZIJA ARTIKLA: AB

VERZIJA RISBE: B

LIST/SHEET: 1/1

**Opomba:**  
Vzmetna ploščica na kabelski strani.  
- navodilo za kontrolo ventilatorja 0301-1-4459  
- checking instruction 0301-1-4459