

Fan with wall plate**Airflow****Direction**

»S«

Type:

R13P-4530HA-4M-5066

»B«

R13P-4530HP-4M-5066

Available on request

R13_4530H_4M-5066

**Weight:**
15,5 kg**Diameter:** 450 mm**Fan with guard grill****Airflow****Direction**

»S«

Type:

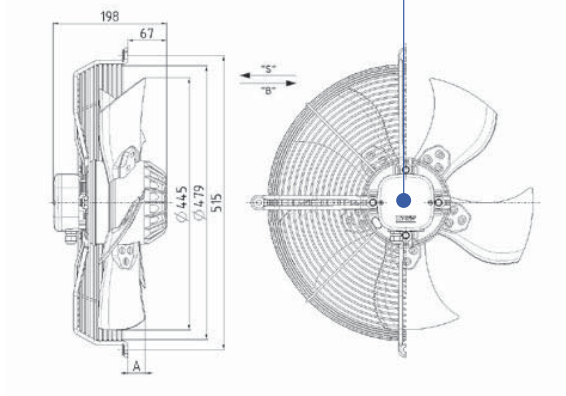
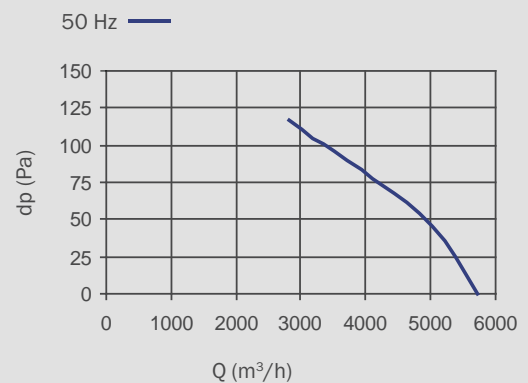
R13R-4530HA-4M-5066

»B«

R13R-4530HP-4M-5066

Code:

0313-4-1082

**Weight:**
10 kg**Aerodynamic characteristic:****Fan without guard grill****Airflow****Direction**

»S«

Type:

R13E-4530HA-4M-5066

»B«

R13E-4530HP-4M-5066

Available on request

Performance Data:

1~230V 50Hz

 $P_1 = 400W$ $n = 1400\text{min}^{-1}$ $I = 1,8A$ $t_R = 60^\circ C$ $L_{wa} = 72 / 75\text{dB(A)}$ $C = 10\mu F / 450V$

Connection: terminal box

Ins.Cl. F

IP54

Notes:

Fan characteristic measured in short bell mouth with guard grill