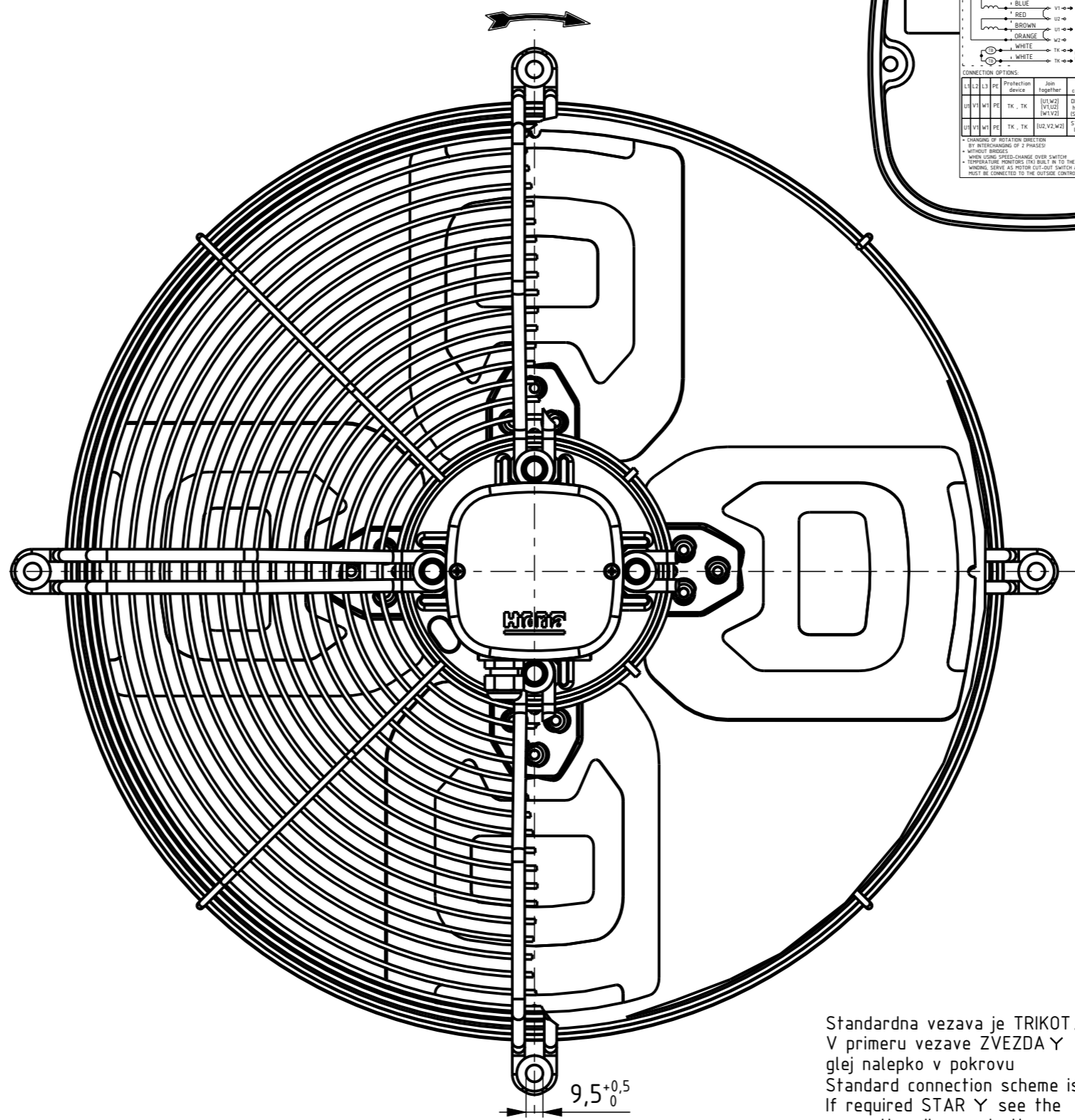
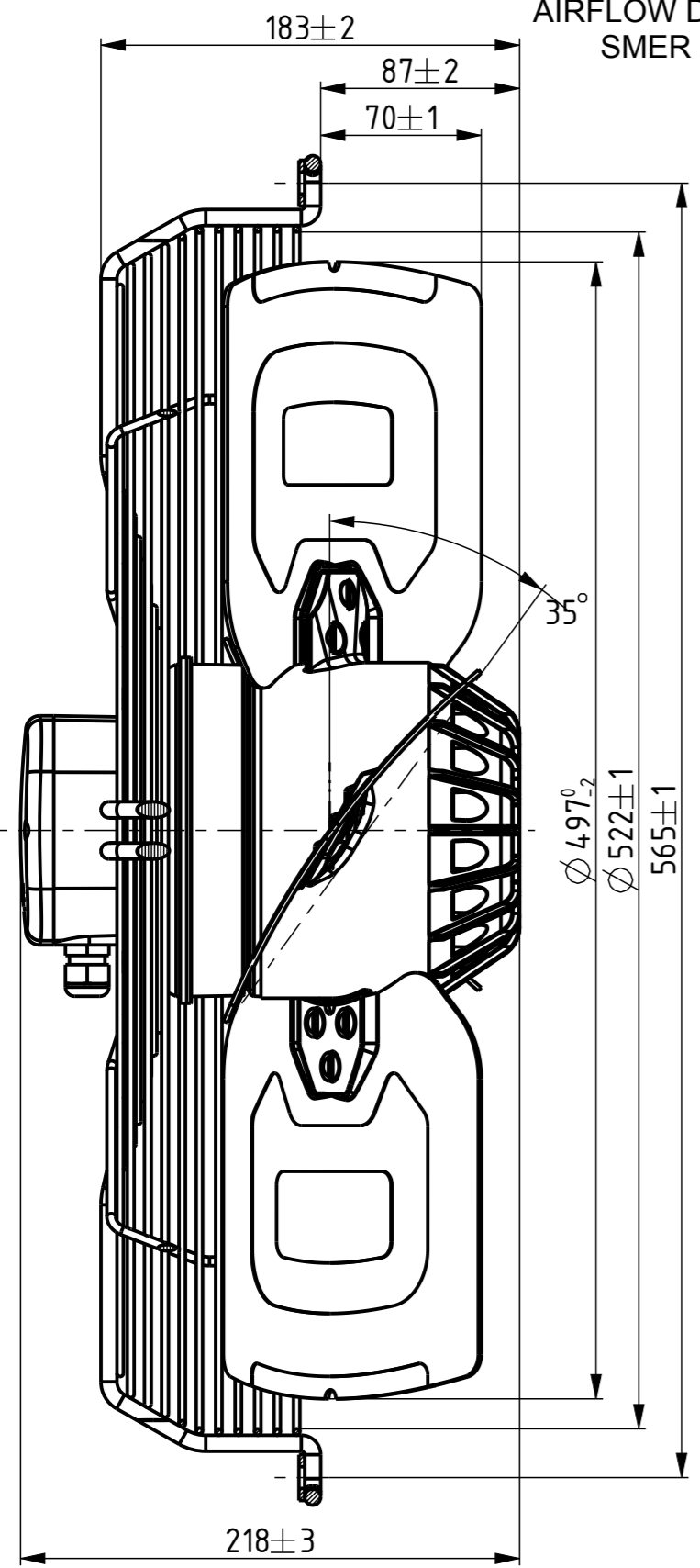
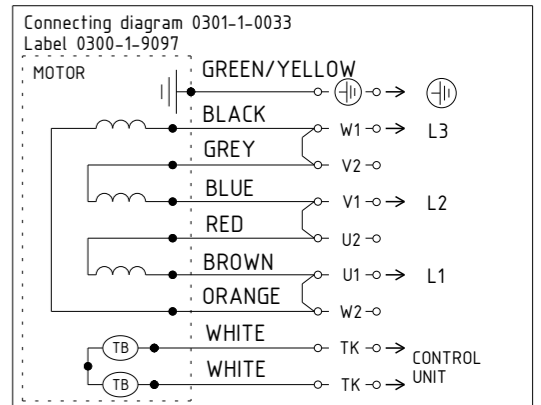
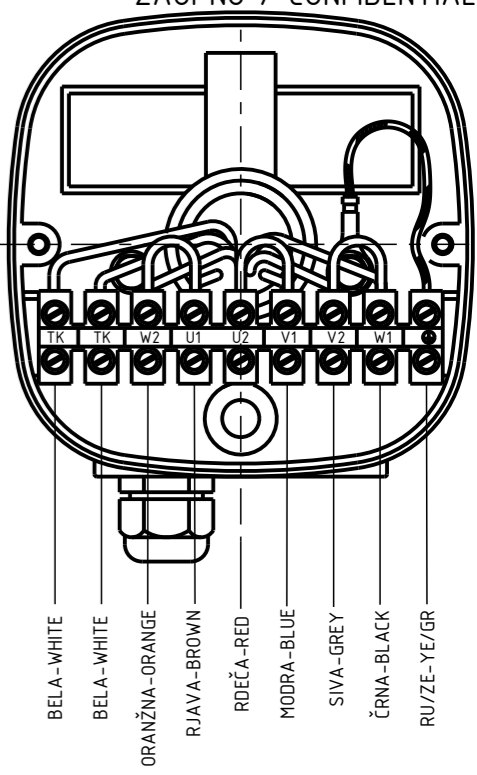
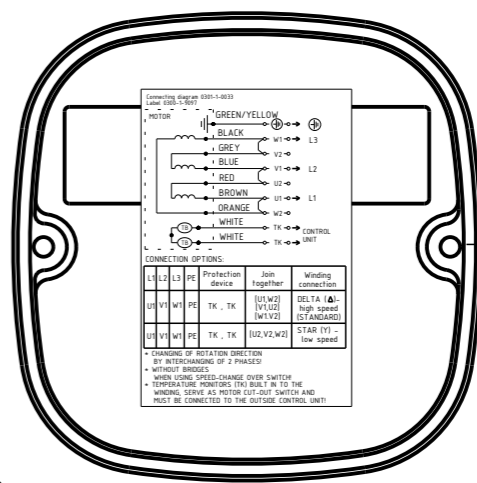


All drawings, regardless of form, are owned by Hidria Rotomatika d.o.o. and are strictly confidential and present copyright. Intellectual Property Rights as follows rights under the laws of patents, petty patents, design patents and registered designs, copyrights, trade secret rights, and similar exclusive rights in industrial property connected with the drawings are reserved by Hidria Rotomatika d.o.o.. Disclosure to any third party is strictly forbidden.



Standardna vezava je TRIKOT Δ
 V primeru vezave ZVEZDA Y
 glej nalepko v pokrovu
 Standard connection scheme is DELTA Δ
 If required STAR Y see the
 connection diagram in the cover



CONNECTION OPTIONS:

L1	L2	L3	PE	Protection device	Join together	Winding connection
U1	V1	W1	PE	TK, TK	[U1,W2] [V1,U2] [W1,V2]	DELTA (Δ)- high speed (STANDARD)
U1	V1	W1	PE	TK, TK	[U2,V2,W2]	STAR (Y) - low speed

* CHANGING OF ROTATION DIRECTION BY INTERCHANGING OF 2 PHASES!
 * WITHOUT BRIDGES
 * WHEN USING SPEED-CHANGE OVER SWITCH!
 * TEMPERATURE MONITORS (TK) BUILT IN TO THE WINDING, SERVE AS MOTOR CUT-OUT SWITCH AND MUST BE CONNECTED TO THE OUTSIDE CONTROL UNIT!

Opomba:
 Vzmetna ploščica na kabelski strani
 - navodilo za kontrolo ventilatorja 0301-1-4479
 - checking instruction 0301-1-4479

HIDRIA MADE IN SLOVENIA DATE
 R13R-5035P-4T2-7002 0313-4-0249
 3~400V 50Hz D/Y 695/480W 1,3/0,78A 134.0/1070RPM
 MAX.AMB.60° C IP54 INS.CL.155
 TH.PROT. ROT.
 ErP: Effes=29,1% (A,static) N=36,1

AC	C	V nalepki z nazivnimi podatki ventilatorja se umakne logo CE. Spremeni se verzija artikla z AB v AC. Risba v Windchillu je skladna z risbo v arhivu.	30.06.2016	Uroš K.
Verzija Artikla: Article revision:	Verzija risbe: DRW Revision:	Opis spremembe: Description of change:	Datum: Date:	Izdatelj: Produced:
	DATUM/DATE	IME / NAME	POVRŠINSKA OBD. SURFACE TEXTURE	
KONSTRUIRAL / DRN:	30.06.2016	Uroš Kunc	MATERIAL	
ODOBRIL / APP:	01.07.2016	Uroš Tominec	KODA MATERIALA MATERIAL CODE	MASA: MASS:
Potrjeno/Approved			NETOL. MERE/UNTOL DIM	DZJ
			ISO 2768-m	
			MERIL/FORMAT	
			33:100/A3	
			NAZIV: TITLE: VENTILATOR R13R-5035P-4T2-7002	
			KODA: CODE:	VERZIJA ARTIKLA: REVISION ARTICLE:
			0313-4-0249	AC
			0313-4-0249	VERZIJA RISBE: DRAW REVISION: C
				1/1