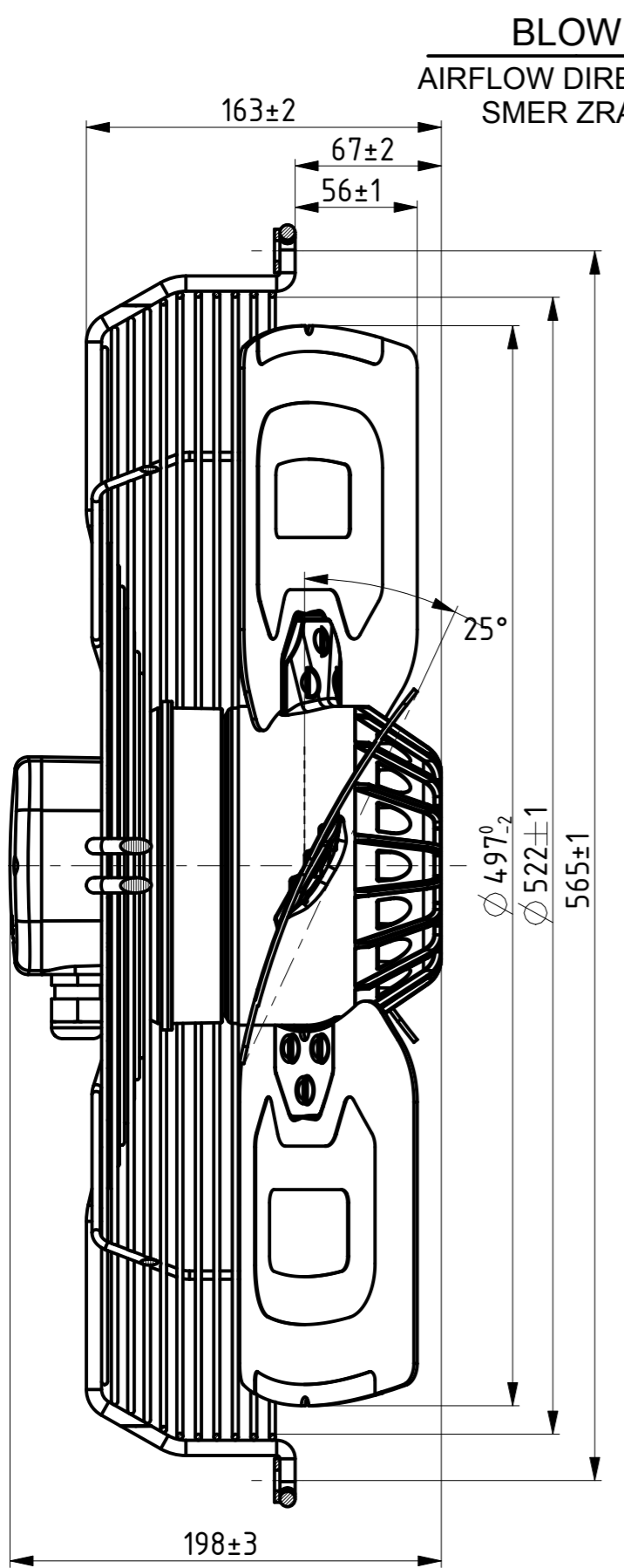
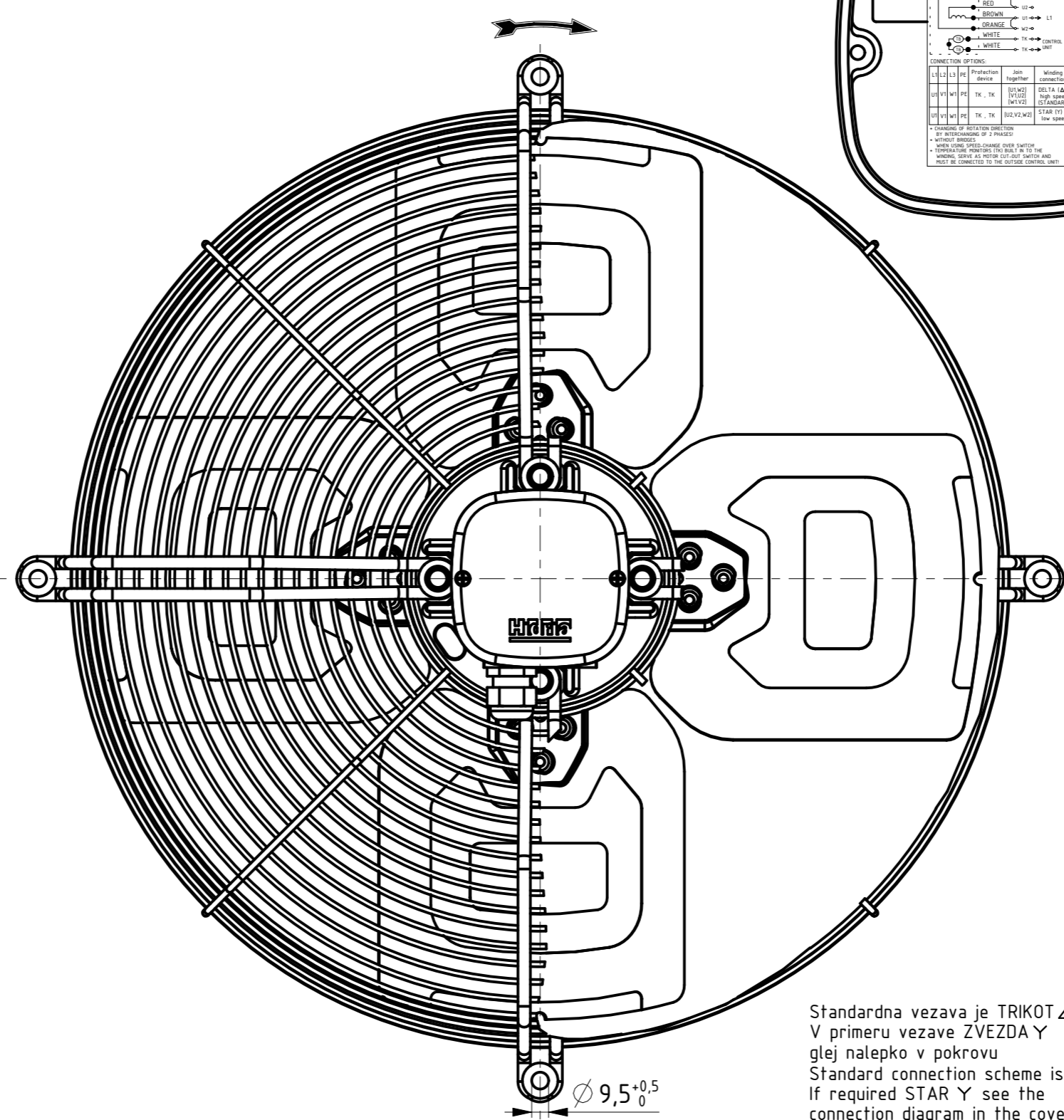


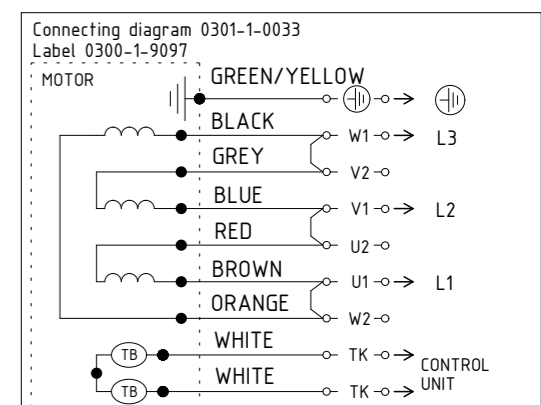
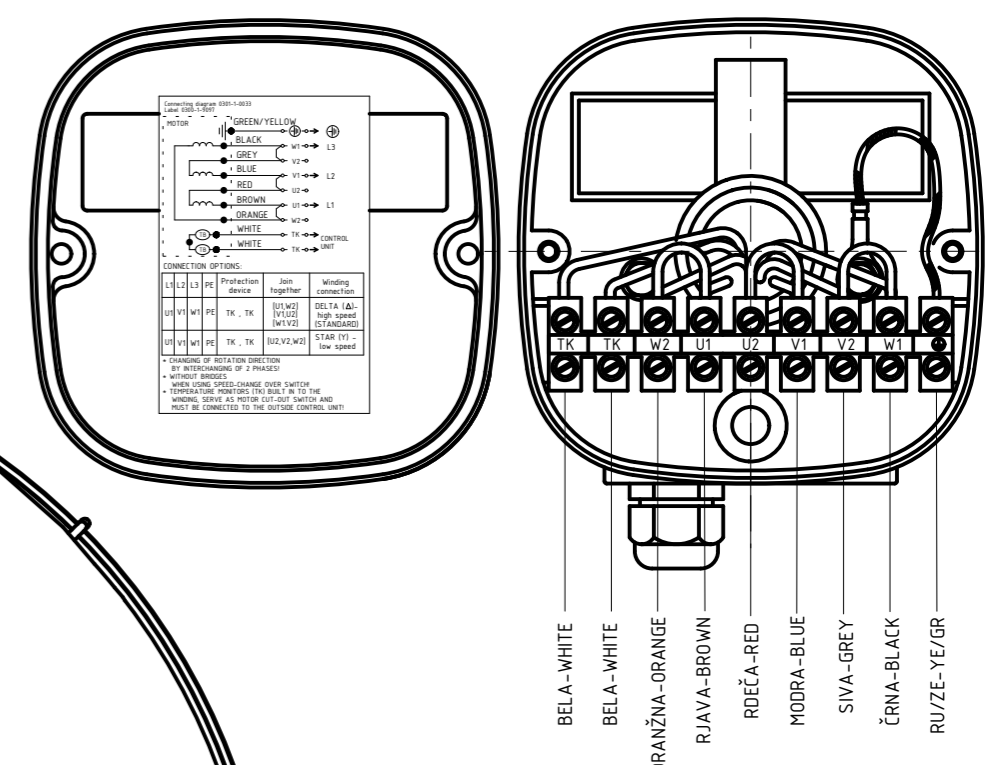
Vsak prenos tretjim osebam in uporaba v nedogovorjene namene ni dovoljen. This document must not be copied without our written permission and/or transferred to a third party for any unauthorized purpose.



BLOWING
AIRFLOW DIRECTION
SMER ZRAKA



Standardna vezava je TRIKOT Δ
V primeru vezave ZVEZDA Y
glej nalepko v pokrovu
Standard connection scheme is DELTA Δ
If required STAR Y see the
connection diagram in the cover



CONNECTION OPTIONS:

L1	L2	L3	PE	Protection device	Join together	Winding connection
U1	V1	W1	PE	TK, TK	[U1,W2] [V1,U2] [W1,V2]	DELTA (Δ) - high speed (STANDARD)
U1	V1	W1	PE	TK, TK	[U2,V2,W2]	STAR (Y) - low speed

* CHANGING OF ROTATION DIRECTION BY INTERCHANGING OF 2 PHASES!
* WITHOUT BRIDGES
* WHEN USING SPEED-CHANGE OVER SWITCH!
* TEMPERATURE MONITORS (TK) BUILT IN TO THE WINDING, SERVE AS MOTOR CUT-OUT SWITCH AND MUST BE CONNECTED TO THE OUTSIDE CONTROL UNIT!

Opomba:
Vzmetna ploščica na kabelski strani.
- navodilo za kontrolo ventilatorja 0301-1-4233
- checking instruction 0301-1-4233

HORMA MADE IN SLOVENIA **CE** DATE

R13R-5025P-4T2-5004 0313-4-0158

3~400V D/Y 50Hz 455/325W 0,95/0,53A 1380/1150RPM

IP54. INS.CL.155 MAX.AMB.50° C

TH.PROT. ROT.

ErP: Effes=33,5% (A,static) N=41,9

HORMA		NETOLERIRANE MERE UNTOLERANCED DIM.	ISO 2768-m	MERILO/FORMAT 33:100 / A3
Izdano		POVRŠINSKA OBD. SURFACE TEXTURE		MATERIAL
		RISAL	25-Jan-2005	Uroš K.
		PROJEKTIRAL	25-Jan-2005	Jure L.
		POTRIL ROBOTNIKA MOTORS		
		POTRIL SPE LIVARSTVO		
		POTRIL SPE LAMELE		
		POTRIL ROBOTNIKA FANS		
		POTRIL		
2	236/12	23-Okt-2012	Uroš K.	
1	066/07	27-Feb-2007	Uroš K.	
ST.	ST.SPR.	DATUM	PODPIS	
NAZIV: TITILE:				VENTILATOR R13R-5025P-4T2-5004
KODA: CODE:				0313-4-0158 0313-4-0158
VERZIJA: REV:				AB
LIST: SHEET:				1
OD: OF:				1