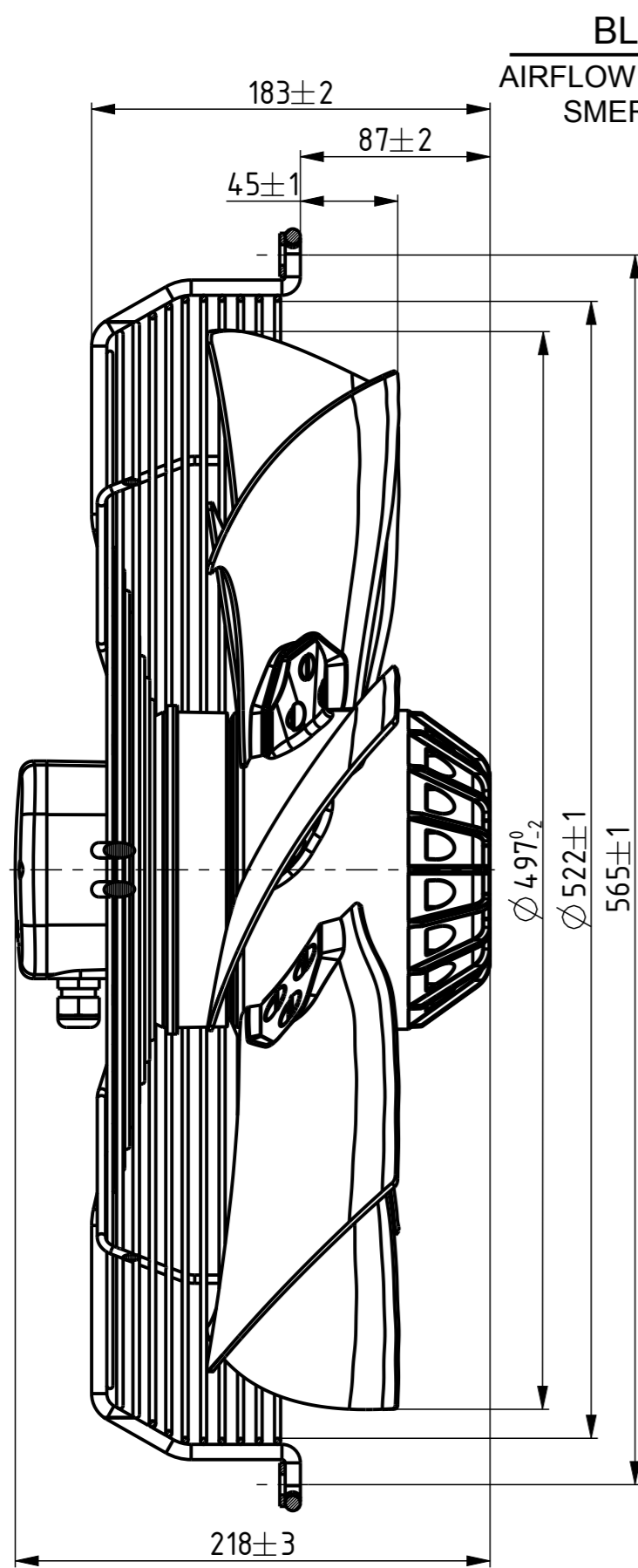
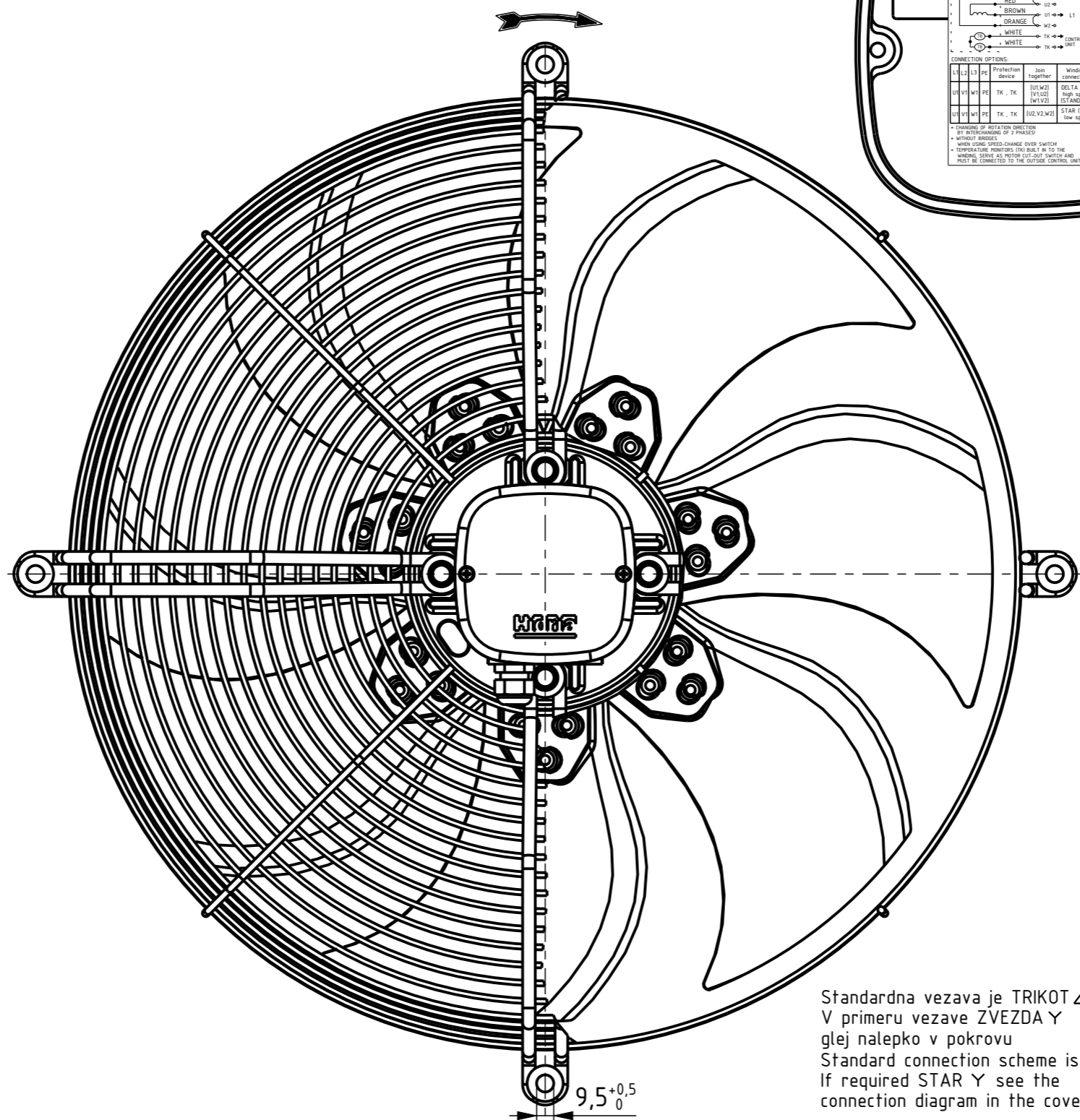


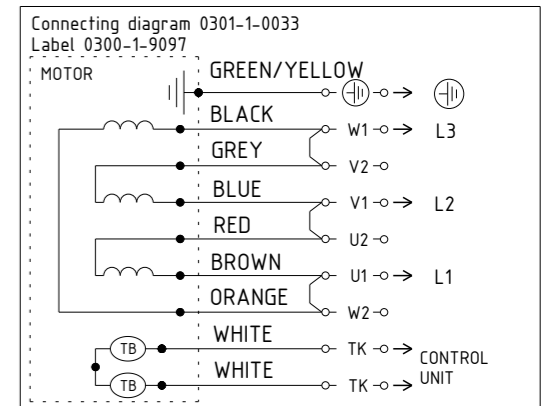
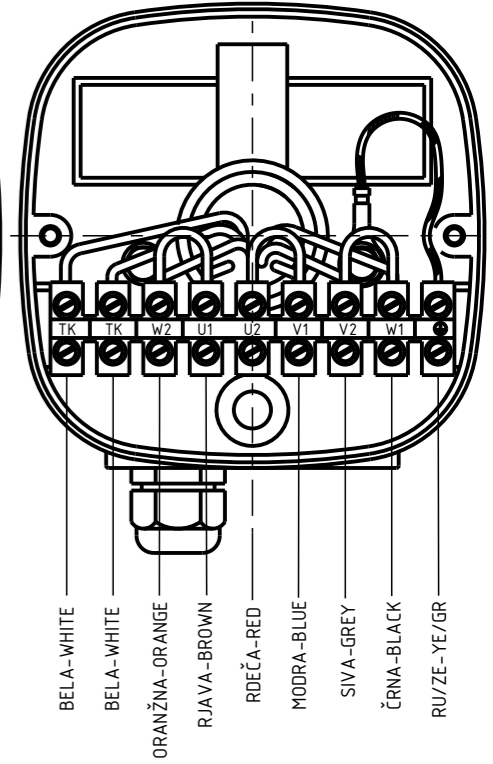
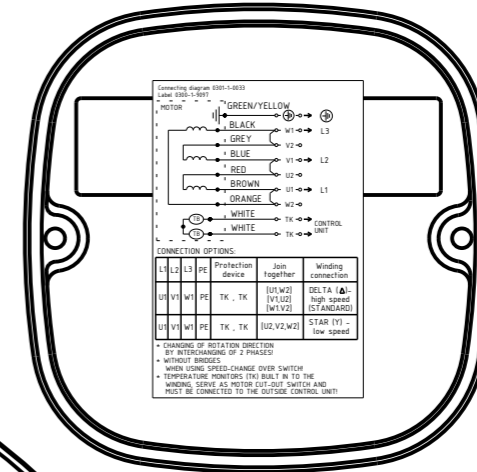
All drawings, regardless of form, are owned by Hidria Rotomatika d.o.o. and are strictly confidential and present copyright. Intellectual Property Rights as follows rights under the laws of patents, petty patents, design patents and registered designs, copyrights, trade secret rights, and similar exclusive rights in industrial property connected with the drawings are reserved by Hidria Rotomatika d.o.o.. Disclosure to any third party is strictly forbidden.



**BLOWING**  
AIRFLOW DIRECTION  
SMER ZRAKA



Standardna vezava je TRIKOT  $\Delta$   
V primeru vezave ZVEZDA Y  
glej nalepko v pokrovu  
Standard connection scheme is DELTA  $\Delta$   
If required STAR Y see the  
connection diagram in the cover



CONNECTION OPTIONS:

L1	L2	L3	PE	Protection device	Join together	Winding connection
U1	V1	W1	PE	TK, TK	[U1,W2] [V1,U2] [W1,V2]	DELTA ( $\Delta$ ) - high speed (STANDARD)
U1	V1	W1	PE	TK, TK	[U2,V2,W2]	STAR (Y) - low speed

\* CHANGING OF ROTATION DIRECTION BY INTERCHANGING OF 2 PHASES!  
 \* WITHOUT BRIDGES  
 \* WHEN USING SPEED-CHANGE OVER SWITCH!  
 \* TEMPERATURE MONITORS (TK) BUILT IN TO THE WINDING, SERVE AS MOTOR CUT-OUT SWITCH AND MUST BE CONNECTED TO THE OUTSIDE CONTROL UNIT!

# Opombe: VENTILATOR NEBARVAN Not coloured fan

Vzmetna ploščica na kabelski strani  
- navodilo za kontrolo ventilatorja 0301-1-4944  
- checking instructions 0301-1-4944

**Hidria** MADE IN SLOVENIA **CE** DATE

R13R-5030HP-4T2-70101 0313-4-1178

3~400V 50Hz D/Y 770/590W 1,6/0,96A 1380/1165RPM  
MAX.AMB.55/65° C IP54 INS.CL.155  
TH.PROT. ROT.

ErP: Effes=33,1% (A,static) N=40,2

AA	AA	Prva izdaja. Risba v Windchillu je skladna z risbo v arhivu.	13.07.2016	Uroš K.
Verzija Artikla:	Verzija risbe:	Opis spremembe:	Datum:	Izdelal:
Article revision:	DRW Revision:	Description of change:	Date:	Produced:
	DATUM/DATE	IME / NAME	NAZIV:	
KONSTRUIRAL / DRN:	13.07.2016	Uroš Kunc	TITL:	
ODOBRIL / APP:			VENTILATOR	
			R13R-5030HP-4T2-70101	
			KODA:	VERZIJA ARTIKLA:
			CODE:	REVISION ARTICLE:
			0313-4-1178	AA
			0313-4-1178	AA.1
				LIST/SHEET:
				1/1